



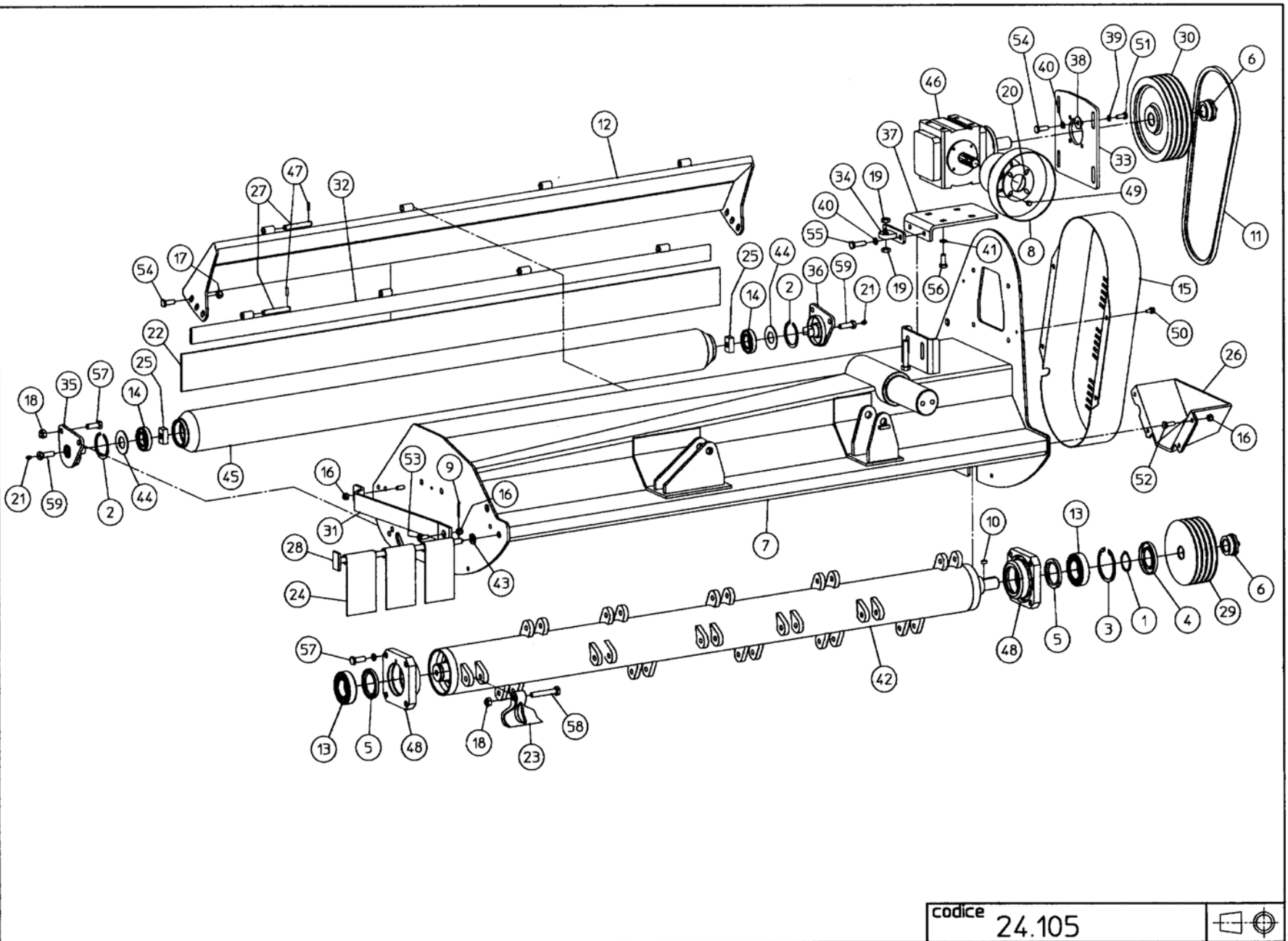
TA-P

BERTI SPARE PARTS REFERENCE GUIDE

---



**Mod. TAP 2002 – Standard FRAME**



Exploded codes:

Mod. TA-P – Standard frame

fig. 24.105

BERTI MACCHINE AGRICOLE srl

Pos.	ITEM	TA-P 160	TA-P 180	TA-P 200	TA-P 220		
1	CIRCLIP	ASE060	ASE060	ASE060	ASE060		
2	CIRCLIP	ASI080	ASI080	ASI080	ASI080		
3	CIRCLIP	ASI110	ASI110	ASI110	ASI110		
4	SEAL RING	AT06011012	AT06011012	AT06011012	AT06011012		
5	SEAL RING	AT07010010	AT07010010	AT07010010	AT07010010		
6	CENTER LOCK	CA4065	CA4065	CA4065	CA4065		
7	MAIN CHASSIS	CC160/2042	CC180/2042	CC200/2042	CC220/2042		
8	PTO CONE	CC005	CC005	CC005	CC005		
9	SPLIT PIN	CF050060	CF050060	CF050060	CF050060		
10	KEY 12x8x20	CH1208020	CH1208020	CH1208020	CH1208020		
11	BELT	CIXPB1700	CIXPB1700	CIXPB1700	CIXPB1700		
12	FLAT HOOD	CO160/2042	CO180/2042	CO200/2042	CO220/2042		
13	BEARING	COS02212	COS02212	COS02212	COS02212		
14	BEARING	CRS06208Z	CRS06208Z	CRS06208Z	CRS06208Z		
15	TRANSMISSION COVER	CT/0186	CT/0186	CT/0186	CT/0186		
16	SELF-LOCKING NUT	DE12AL6SPGZAB	DE12AL6SPGZAB	DE12AL6SPGZAB	DE12AL6SPGZAB		
17	SELF-LOCKING NUT	DE14AL6SPGZAB	DE14AL6SPGZAB	DE14AL6SPGZAB	DE14AL6SPGZAB		
18	SELF-LOCKING NUT	DE16AL6SPGZAB	DE16AL6SPGZAB	DE16AL6SPGZAB	DE16AL6SPGZAB		
19	NUT Low	DE18BA6SPGN	DE18BA6SPGN	DE18BA6SPGN	DE18BA6SPGN		
20	REINFORCING PLATE	FR/1338	FR/1338	FR/1338	FR/1338		
21	GRASER	IN08125DR	IN08125DR	IN08125DR	IN08125DR		
22	RUBBER PROTECTOR	LT06130L1600	LT06130L1800	LT06130L2000	LT06130L2200		
23	HAMMER TYPE "P"	MP/0008	MP/0008	MP/0008	MP/0008		
24	FLAP	PA05/1342	PA05/1342	PA05/1342	PA05/1342		
25	PLATE	PB/2005	PB/2005	PB/2005	PB/2005		
26	COVER PROTECTOR	PC/2040	PC/2040	PC/2040	PC/2040		
27	HINGE PIN	PE0150110	PE0150110	PE0150110	PE0150110		
28	FLAPS ROD	PE0181630	PE0181830	PE0182030	PE0182230		
29	PULLEY	PG212G4	PG212G4	PG212G4	PG212G4		
30	PULLEY	PG280G4	PG280G4	PG280G4	PG280G4		
31	SIDE PROTECTOR	PL100600	PL100600	PL100600	PL100600		
32	HOLDER OF RUBBER PROTECTION	SP041520	SP041720	SP041920	SP042120		
33	SIDE PLATE FOR GEARBOX	PR/1985	PR/1985	PR/1985	PR/1985		
34	ADJUSTING PLATE	PR08/0009	PR08/0009	PR08/0009	PR08/0009		
35	ROLLER BRACKET RH	PR139DX/2017	PR139DX/2017	PR139DX/2017	PR139DX/2017		
36	ROLLER BRACKET LH	PR139SX/2017	PR139SX/2017	PR139SX/2017	PR139SX/2017		
37	SUPPORT FOR GEARBOX	PSS/1984	PSS/1984	PSS/1984	PSS/1984		
38	WASHER 14x42	RF1442FN	RF1442FN	RF1442FN	RF1442FN		
39	GROWER WASHER Ø12	RG12XXARN	RG12XXARN	RG12XXARN	RG12XXARN		
40	GROWER WASHER Ø14	RG14XXARN	RG14XXARN	RG14XXARN	RG14XXARN		
41	GROWER WASHER Ø16	RG16XXARN	RG16XXARN	RG16XXARN	RG16XXARN		
42	ROTOR	RC159160/0013	RC159180/0014	RC159200/0015	RC159220/0016		
43	WASHER Ø18	RP18XXFN	RP18XXFN	RP18XXFN	RP18XXFN		



BERTI Macchine Agricole S.r.l.

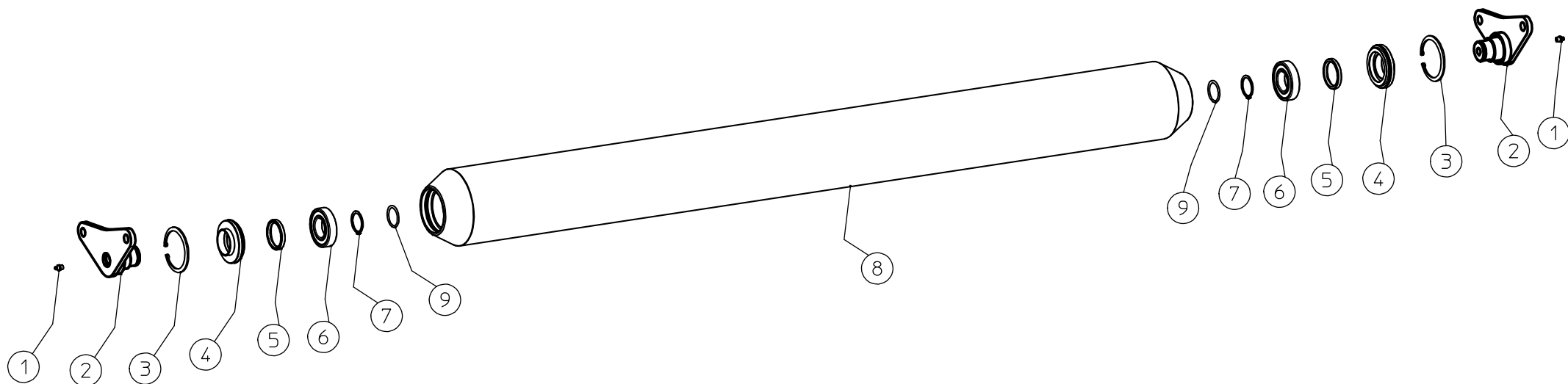
Spare Parts Dept.


**Mod. TAP 2002 – 3p Linkage with Anti-shock**

BERTI M. A. Srl

Via Musi s/n – 37042 Caldiero (VR) Italy - [info@bertima.it](mailto:info@bertima.it) - [www.bertima.it](http://www.bertima.it)





		mod. TA-P	
macchine agricole spa Caldiero (VR)		mat. _____	
des. Espoloso rullo 159			
data 13/12/08	dis. Andrea	cod. 24.06.01	rev.
<small>© Le informazioni contenute nel presente documento sono di proprietà della BERTI MACCHINE AGRICOLE SPA e non possono essere riprodotte o trasmesse a terzi in alcun modo senza esplicita approvazione scritta della BERTI MACCHINE AGRICOLE SPA o di un suo rappresentante debitamente autorizzato.</small>			

		TA-P – TA/PF			
Pos.	ITEM	cm 160	cm 180	cm 200	cm 220
1	GREASE NIPPLE M10x1	IN101XXDR	IN101XXDR	IN101XXDR	IN101XXDR
2	ROLLER BRACKET	PA/4330	PA/4330	PA/4330	PA/4330
3	CIRCLIP i 90	ASI090	ASI090	ASI090	ASI090
4	PROTECTION RING	AL159/4246	AL159/4246	AL159/4246	AL159/4246
5	SEAL RING	AT04806208	AT04806208	AT04806208	AT04806208
6	BEARING	003.05	003.05	003.05	003.05
7	CIRCLIP e 40	ASE040	ASE040	ASE040	ASE040
8	ROLLER	RL159160/4026	RL159180/4026	RL159200/4026	RL159220/4026
10	RING OR 4325	GOR4325	GOR4325	GOR4325	GOR4325
9					
10					
11					
12					
13					