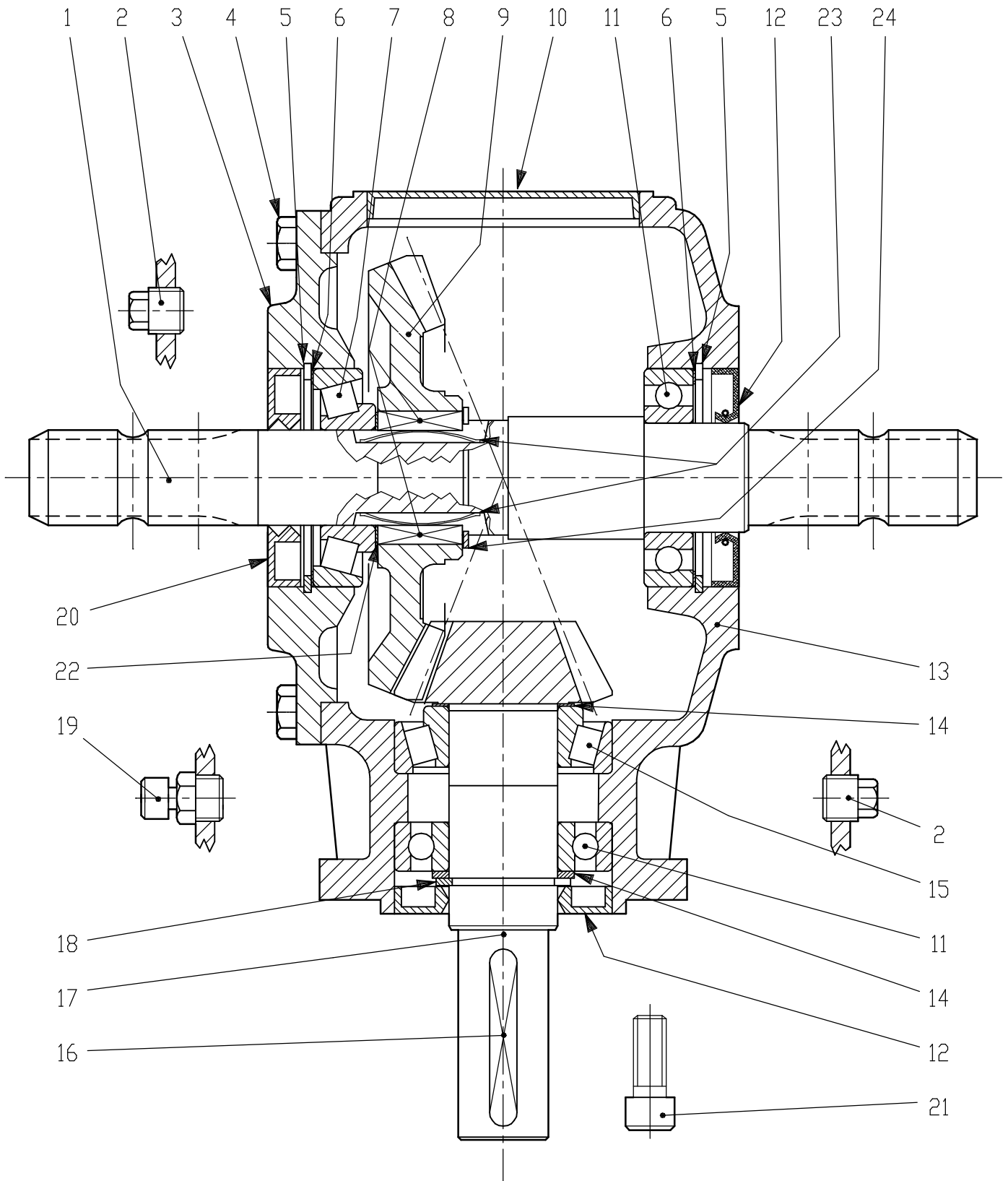


DITTA
-------

RIF.
DATA
24-09-2003

DENOMINAZIONE	T-312A
CODICE	312.791.00



S.d.M.  
00.0000

DESIGNATION      GEAR BOX      T-312A

CODE N°      9.312.791.00

POS.	DRG. N.	PIEC	DESCRIPTION
------	---------	------	-------------

1	0.312.2203.00	1	SHAFT      1"3/8 Z6
2	8.6.5.00006	3	PLUG      3/8"GAS
3	0.312.1300.00	1	COVER
4	8.1.1.00061	8	BOLT      M10X25 8,8
5	8.5.2.00030	2	SNAP RING      80 UNI7437
6	0.267.7500.00	2	SHIM      79.9
7	8.0.9.00129	1	BEARING      30307
8	0.267.7109.00	2	PARALLEL KEY
9	0.312.6009.00	1	CROWN WHEEL      F.W. Z30 M5.5
10	8.7.0.00975	1	CAP      100x10
11	8.0.1.00871	2	BEARING      6208
12	8.7.3.00027	2	OIL SEAL      40X80X10
13	0.312.0300.00	1	CASING
14	0.244.7500.00	2	SHIM KIT      40.3x51.5
15	8.0.9.00102	1	BEARING      32208
16	8.4.1.01689	1	PARALLEL KEY      A10X8X65
17	0.312.5001.00	1	PINION SHAFT      Z12 M5.5
18	8.5.1.00680	1	SNAP RING      40 UNI7436
19	8.6.7.00161	1	OIL FILLER PLUG      3/8"GAS
20	8.7.1.00315	1	DOUBLE LIP SEAL      35X80 X10
21	8.1.2.00311	4	BOLT      M12X30 8,8
22	0.259.7510.00	1	SHIM      35.3x1
23	0.267.7110.00	2	SPRING FREE WHEEL
24	8.5.1.00712	1	SNAP RING      42 UNI7435