

**FARMGARD**  
ROBUST MACHINERY THAT WORKS

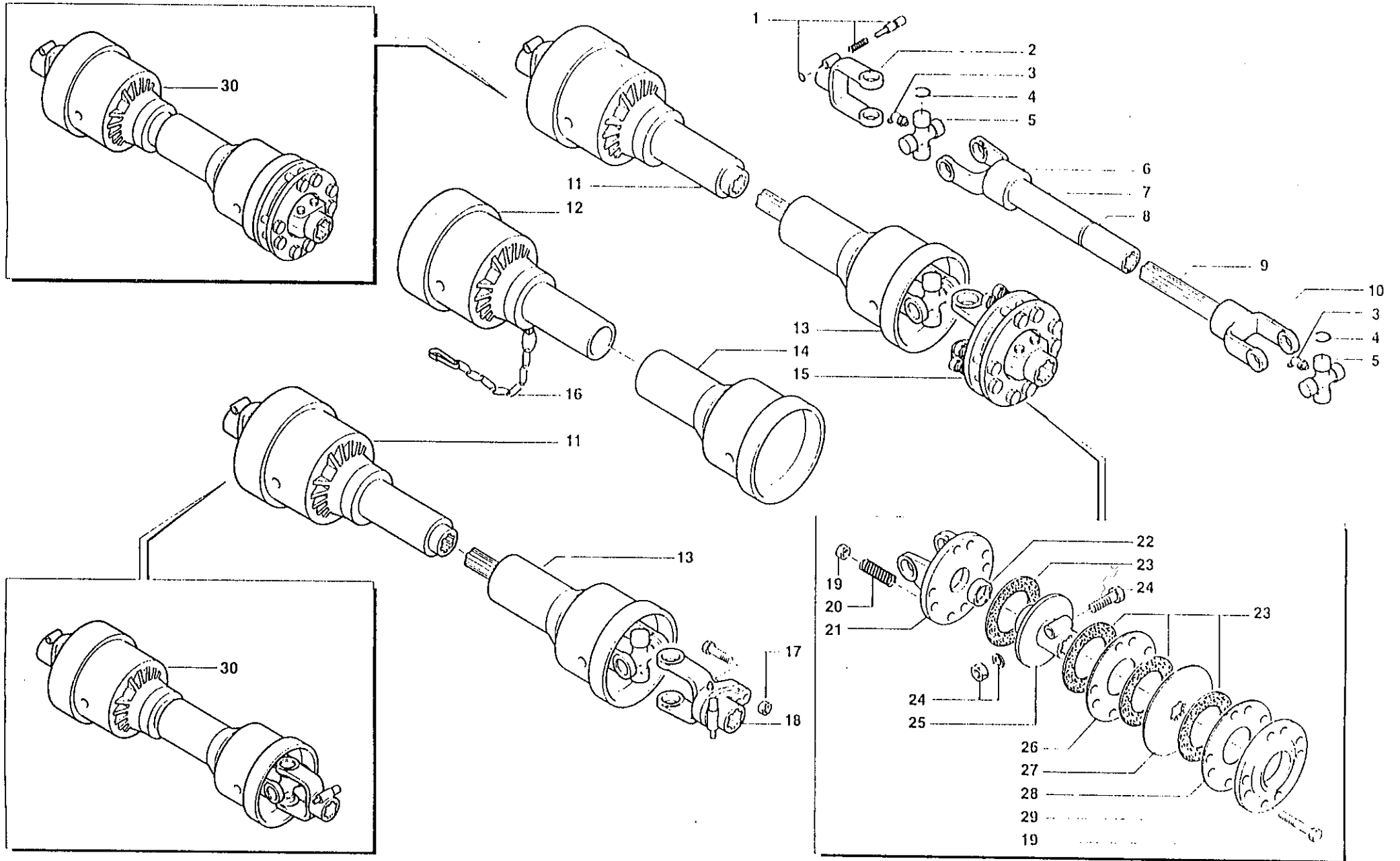


**KR**

**CELLI SPARE PARTS REFERENCE GUIDE**

**POWER HARROW**





ALBERO CARDANICO • DRIVE SHAFT  
GELENKWELLE • CARDAN COMPLETE

KR

lav	1.01
fab	
dat	





ALBERO CARDANICO • DRIVE SHAFT  
GELENKWELLE • CARDAN COMPLETE

KR

Inv  
tab  
lal

1.01

RIF.	N. CODICE	DENOMINAZIONE	DENOMINATION	BEZEICHNUNG	DENOMINATION	
<b>L=900</b>	13	019045	Semialbero	Semi drive shaft	Halbgelenkwelle	Demi arbre
<b>L=1000</b>		019053	Semialbero	Semi drive shaft	Halbgelenkwelle	Demi arbre
<b>L=900</b>		019072	Semialbero	Semi drive shaft	Halbgelenkwelle	Demi arbre
<b>L=1000</b>		019073	Semialbero	Semi drive shaft	Halbgelenkwelle	Demi arbre
<b>Serie 8</b>	14	018149	Protezione	Protection	Schutz	Protection
<b>Serie 10</b>		018200	Protezione	Protection	Schutz	Protection
<b>Serie 8</b>	15	020062	Frizione 1"3/4 Z=6	Clutch 1"3/4 Z=6	Rutschkupplung 1"3/4 Z=6	Embrayage 1"3/4 Z=6
<b>Serie 10</b>		020058	Frizione 1"3/4 Z=6	Clutch 1"3/4 Z=6	Rutschkupplung 1"3/4 Z=6	Embrayage 1"3/4 Z=6
	16	018148	Catena	Chain	Kette	Chaîne
	17	020066	Bullone completo 540g (4)	Complete bolt 540g (M14x70)	Bolzen kpl. 540g (A10)	Boulon complete 540g
		020064	Bullone completo 1000g 433017007	Complete bolt 1000g (M12x65)	Bolzen kpl. 1000g (A8)	Boulon complete 1000g
	18	020065	Limitatore 540g (C)	Limiting device 540g	Begrenzer 540g	Limiteur 540g
		020071	Limitatore 1000g (C)	Limiting device 1000g	Begrenzer 1000g	Limiteur 1000g
	19	020043	Bullone completo	Complete bolt	Bolzen kpl.	Boulon complete
	20	020026	Molla d.6	Spring	Feder	Ressort
		020057	Molla d.7	Spring	Feder	Ressort
<b>Serie 8</b>	21	020051	Forcella	Fork	Gabelstueck	Fourche
<b>Serie 10</b>		020055	Forcella	Fork	Gabelstueck	Fourche
	22	020048	Bussola	Bush	Buchse	Bague
	23	020003	Ferodo	Lining	Bremsbelag	Disque embrayage
	24	020032	Bullone 1"3/8	Bolt 1"3/8	Bolzen 1"3/8	Boulon 1"3/8
		020010	Bullone 1"3/4	Bolt 1"3/4	Bolzen 1"3/4	Boulon 1"3/4
	25	020044	Mozzo 1"3/8	Hub 1"3/8	Nabe 1"3/8	Disque 1"3/8
		020056	Mozzo 1"3/4	Hub 1"3/4	Nabe 1"3/4	Disque 1"3/4
	26	020052	Piatto	Plate	Scheibe	Disque
	27	020045	Disco	Disc	Scheibe	Disque
	28	020047	Disco	Disc	Scheibe	Disque
	29	020046	Piatto	Plate	Scheibe	Disque
<b>L=900</b>	30	018210	Albero + FF4 1"3/4 Z=6	Drive shaft + FF4 1"3/4 Z=6	Gelenkwelle + FF4 1"3/4 Z=6	Cardan complete + FF4 1"3/4 Z=6
			Forcella 1"3/8 Z=6	Fork 1"3/8 Z=6	Gabelstueck 1"3/8 Z=6	Fourche 1"3/8 Z=6
<b>L=1000</b>		018211	Albero + FF4 1"3/4 Z=6	Drive shaft + FF4 1"3/4 Z=6	Gelenkwelle + FF4 1"3/4 Z=6	Cardan complete + FF4 1"3/4 Z=6
			Forcella 1"3/8 Z=6	Fork 1"3/8 Z=6	Gabelstueck 1"3/8 Z=6	Fourche 1"3/8 Z=6

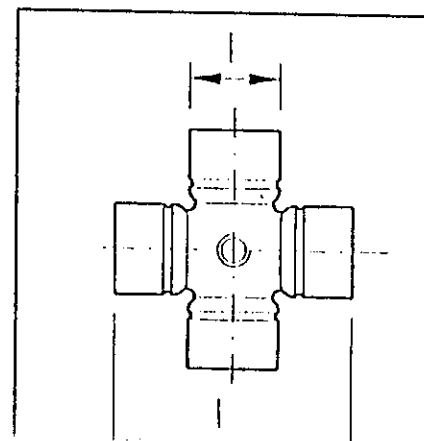
RIF.	N. CODICE	DENOMINAZIONE	DENOMINATION	BEZEICHNUNG	DENOMINATION
L=900	018216	Forcella 1"3/8 Z=6 Albero + FF4 1"3/4 Z=6	Fork 1"3/8 Z=6 Drive shaft + FF4 1"3/4 Z=6	Gabelstueck 1"3/8 Z=6 Gelenkwelle + FF4 1"3/4 Z=6	Fourche 1"3/8 Z=6 Cardan complete + FF4 1"3/4 Z=6
L=1000	018218	Forcella 1"3/8 Z=21 Albero + FF4 1"3/4 Z=6	Fork 1"3/8 Z=21 Drive shaft + FF4 1"3/4 Z=6	Gabelstueck 1"3/8 Z=21 Gelenkwelle + FF4 1"3/4 Z=6	Fourche 1"3/8 Z=21 Cardan complete + FF4 1"3/4 Z=6
L=900	018215	Forcella 1"3/8 Z=21 Albero + FF4 1"3/4 Z=6	Fork 1"3/8 Z=21 Drive shaft + FF4 1"3/4 Z=6	Gabelstueck 1"3/8 Z=21 Gelenkwelle + FF4 1"3/4 Z=6	Fourche 1"3/8 Z=21 Cardan complete + FF4 1"3/4 Z=6
L=1000	018217	Forcella 1"3/4 Z=6 Albero + FF4 1"3/4 Z=6	Fork 1"3/4 Z=6 Drive shaft + FF4 1"3/4 Z=6	Gabelstueck 1"3/4 Z=6 Gelenkwelle + FF4 1"3/4 Z=6	Fourche 1"3/4 Z=6 Cardan complete + FF4 1"3/4 Z=6
L=900	018202	Forcella 1"3/4 Z=6 Albero + FF4 1"3/4 Z=6	Fork 1"3/4 Z=6 Drive shaft + FF4 1"3/4 Z=6	Gabelstueck 1"3/4 Z=6 Gelenkwelle + FF4 1"3/4 Z=6	Fourche 1"3/4 Z=6 Cardan complete + FF4 1"3/4 Z=6
L=1000	018191	Forcella 1"3/8 Z=6 Albero + FF4 1"3/4 Z=6	Fork 1"3/8 Z=6 Drive shaft + FF4 1"3/4 Z=6	Gabelstueck 1"3/8 Z=6 Gelenkwelle + FF4 1"3/4 Z=6	Fourche 1"3/8 Z=6 Cardan complete + FF4 1"3/4 Z=6
L=900	018220	Forcella 1"3/8 Z=6 Albero + FF4 1"3/4 Z=6	Fork 1"3/8 Z=6 Drive shaft + FF4 1"3/4 Z=6	Gabelstueck 1"3/8 Z=6 Gelenkwelle + FF4 1"3/4 Z=6	Fourche 1"3/8 Z=6 Cardan complete + FF4 1"3/4 Z=6
L=1000	018222	Forcella 1"3/8 Z=21 Albero + FF4 1"3/4 Z=6	Fork 1"3/8 Z=21 Drive shaft + FF4 1"3/4 Z=6	Gabelstueck 1"3/8 Z=21 Gelenkwelle + FF4 1"3/4 Z=6	Fourche 1"3/8 Z=21 Cardan complete + FF4 1"3/4 Z=6
L=900	018219	Forcella 1"3/8 Z=21 Albero + FF4 1"3/4 Z=6	Fork 1"3/8 Z=21 Drive shaft + FF4 1"3/4 Z=6	Gabelstueck 1"3/8 Z=21 Gelenkwelle + FF4 1"3/4 Z=6	Fourche 1"3/8 Z=21 Cardan complete + FF4 1"3/4 Z=6
L=1000	018221	Forcella 1"3/4 Z=6 Albero + FF4 1"3/4 Z=6	Fork 1"3/4 Z=6 Drive shaft + FF4 1"3/4 Z=6	Gabelstueck 1"3/4 Z=6 Gelenkwelle + FF4 1"3/4 Z=6	Fourche 1"3/4 Z=6 Cardan complete + FF4 1"3/4 Z=6
L=900	018005	Forcella 1"3/4 Z=6 Albero + SB10 540g	Fork 1"3/4 Z=6 Drive shaft + SB10 540g	Gabelstueck 1"3/4 Z=6 Gelenkwelle + SB10 540g	Fourche 1"3/4 Z=6 Cardan complete + SB10 540g
L=900	018006	Albero + SB10 1000g	Drive shaft + SB10 1000g	Gelenkwelle + SB10 1000g	Cardan complete + SB10 1000g

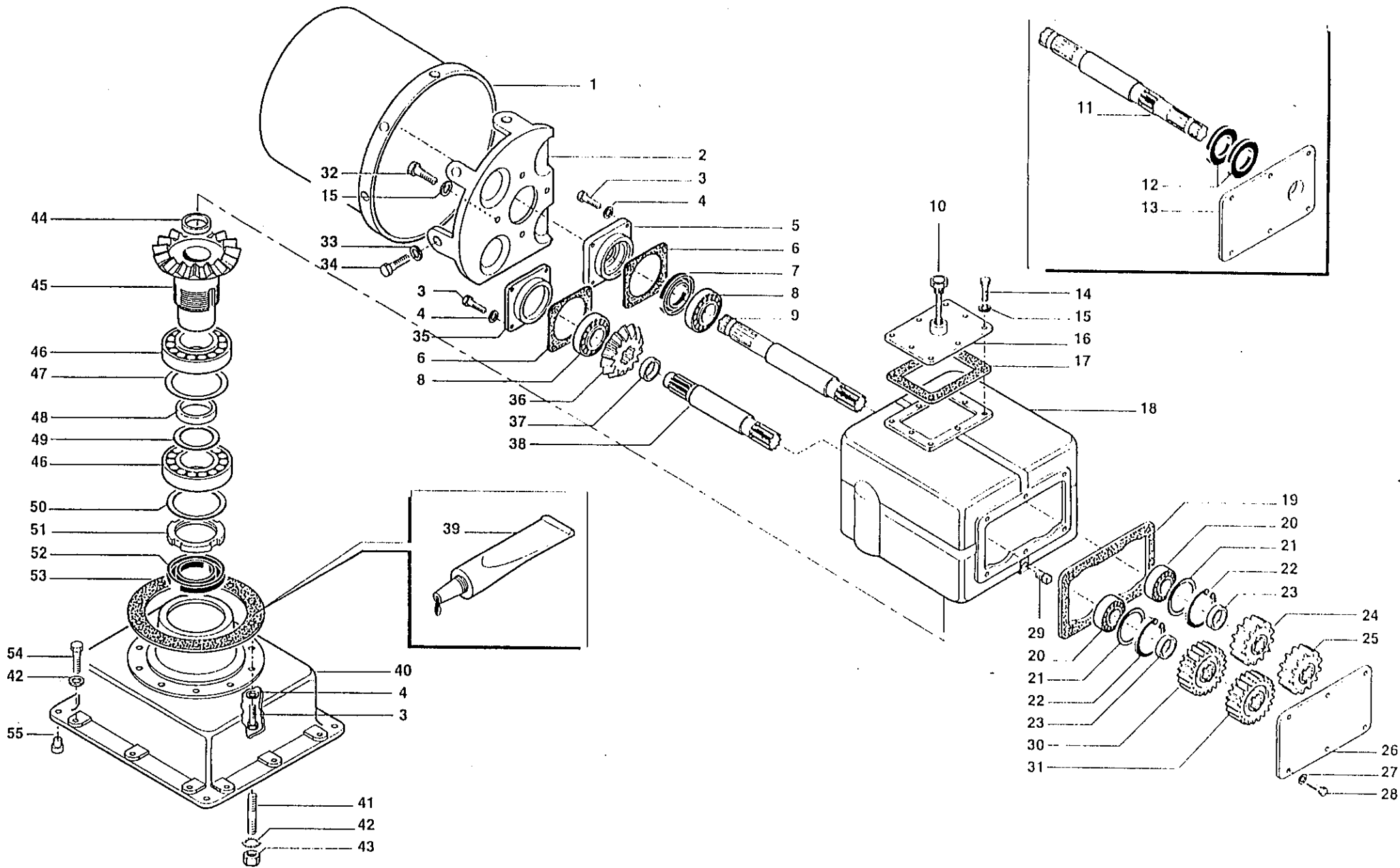
ALBERO CARDANICO SERIE 808 : CROCIERA I = 35 x L = 106.5  
ALBERO CARDANICO SERIE 810 : CROCIERA I = 41 x L = 118

DRIVE SHAFT 808 : CROSS JOURNAL I = 35 x L = 106.5  
DRIVE SHAFT 810 : CROSS JOURNAL I = 41 x L = 118

GELENKWELLE 808 : GELENKKREUZ KPL I = 35 x L = 106.5  
GELENKWELLE 810 : GELENKKREUZ KPL I = 41 x L = 118

CARDAN COMPLETE 808 : CROISILLON I = 35 x L = 106.5  
CARDAN COMPLETE 810 : CROISILLON I = 41 x L = 118





SCATOLA CAMBIO • GEARBOX  
 GETRIEBEGEHAUSE • BÔTE DE TRANSMISSION

KR

liv	1.02	0
tab		
inf		



SCATOLA CAMBIO • GEARBOX  
GETRIEBEGEHAUSE • BÔTE DE TRANSMISSION

KR

Tab  
101

1.02<sub>0</sub>

RIF.	N. CODICE	DENOMINAZIONE	DENOMINATION	BEZEICHNUNG	DENOMINATION
1	124505	Cuffia	Guard	Schütz	Protection
2	161500	Supporto	Support	Halterung	Support
3	014145	Vite	Screw	Schraube	Vis
4	011003	Grower	Grower	Federscheibe	Grower
5	421606	Coperchio per PDF anteriore	Cover	Deckel	Couvercle
6	424600	Guarnizione	Gasket	Dichtring	Joint
7	007152	Paraolio	Oil seal	Simmerring	Joint d'huile
8	003044	Cuscinetto	Bearing	Kugellager	Roulement
9	423710	Albero presa di forza	Shaft	Welle	Arbre
10	022068	Tappo	Plug	Verschluss	Bouchon
11	423721	Albero presa doppia	Shaft	Welle	Arbre
12	007160	Paraolio	Oil seal	Simmerring	Joint d'huile
13	421605	Coperchio per PDF posteriore	Cover	Deckel	Couvercle
<b>300/400</b>	621605	Coperchio per PDF posteriore	Cover	Deckel	Couvercle
14	014227	Vite	Screw	Schraube	Vis
15	011002	Grower	Grower	Federscheibe	Grower
16	461873	Coperchio	Cover	Deckel	Couvercle
17	424601	Guarnizione	Gasket	Dichtring	Joint
<b>250/350</b>	18	621600	Scatola rotazione destra	Gehäuse	Bôte
<b>300/400</b>	621604	Scatola rotazione sinistra	Housing	Gehäuse	Bôte
19	424602	Guarnizione	Gasket	Dichtring	Joint
20	003112	Cuscinetto	Bearing	Kugellager	Roulement
21	111504	Serie spessori	Set spacers	Beilagscheiben	Serie d'epaisseur
22	001033	Anello di arresto	Stop ring	Sperring	Bague d'arret
23	423715	Distanziale	Spacer	Distanzstueck	Entretoise
24	422600	Ingranaggio Z=18 (540 giri)	Gear 18 T	Zahnrad 18 Z	Engrenage 18 Dents
	422606	Ingranaggio Z=14 (1000 giri)	Gear 14 T	Zahnrad 14 Z	Engrenage 14 Dents
25	422601	Ingranaggio Z=19 (540 giri)	Gear 19 T	Zahnrad 19 Z	Engrenage 19 Dents
	422607	Ingranaggio Z=15 (100 giri)	Gear 15 T	Zahnrad 15 Z	Engrenage 15 Dents
26	421603	Coperchio cambio	Cover	Deckel	Couvercle
27	011012	Rosetta	Spring washer	Scheibe	Rondelle
28	014205	Vite	Screw	Schraube	Vis



SCATOLA CAMBIO • GEARBOX  
GETRIEBEGEHAUSE • BÔTE DE TRANSMISSION

KR

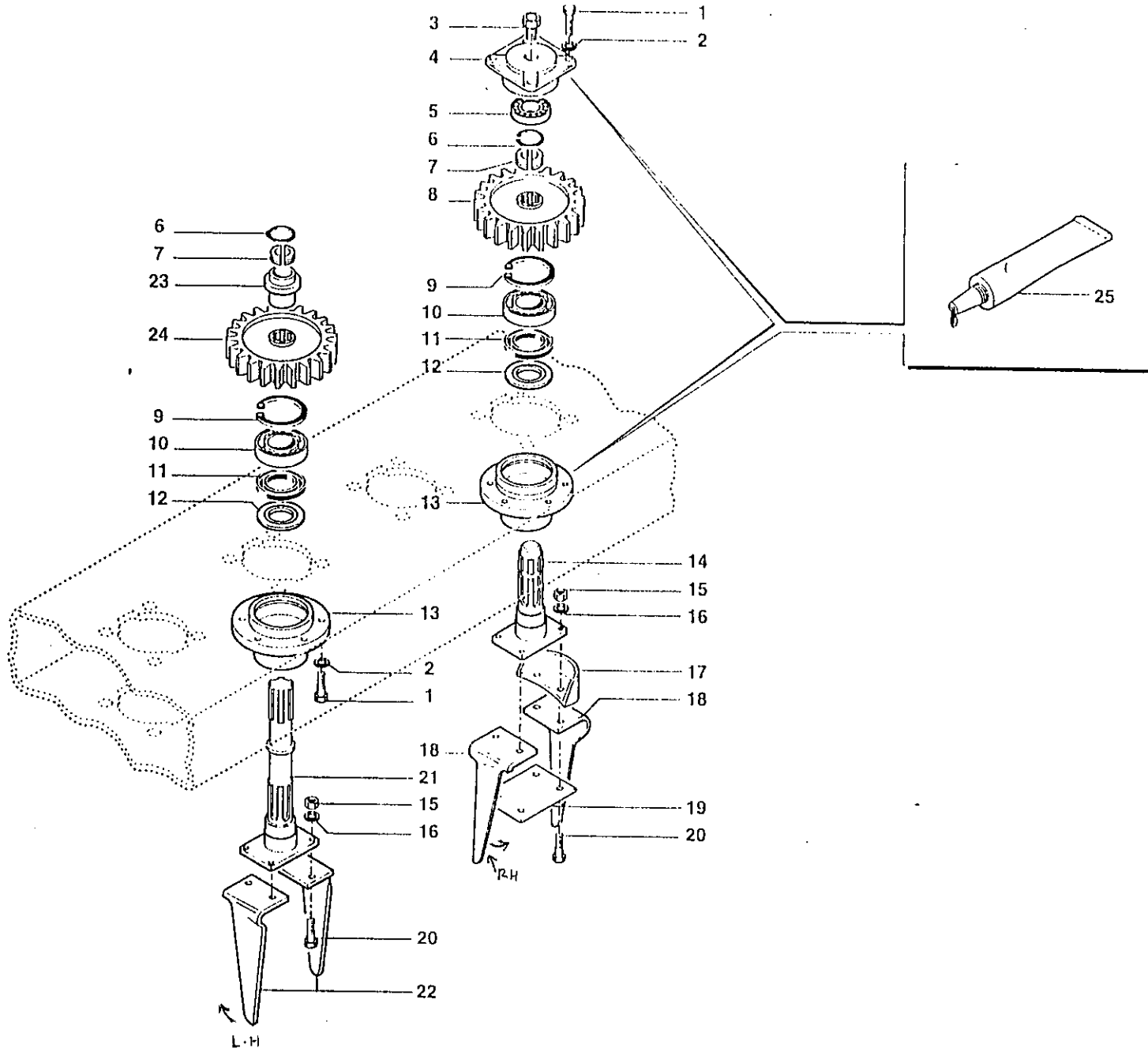
Tab  
Tab  
Tab

1.02



RIF.	N. CODICE	DENOMINAZIONE	DENOMINATION	BEZEICHNUNG	DENOMINATION
29	022009	Tappo	Plug	Verschluss	Bouchon
30	422603	Ingranaggio Z=21 (540 giri)	Gear 21 T	Zahnrad 21 Z	Engrenage 21 Dents
	422613	Ingranaggio Z=25 (1000 giri)	Gear 25 T	Zahnrad 25 Z	Engrenage 25 Dents
31	422602	Ingranaggio Z=20 (540 giri)	Gear 20 T	Zahnrad 20 Z	Engrenage 20 Dents
	422612	Ingranaggio Z=24 (1000 giri)	Gear 24 T	Zahnrad 24 Z	Engrenage 24 Dents
32	014278	Vite	Screw	Schraube	Vis
33	010023	Rondella	Washer	Scheibe	Rondelle
34	014284	Vite	Screw	Schraube	Vis
35	421602	Coperchio anteriore	Cover	Deckel	Couvercle
36	422615	Pignone conico	Bevel pinion	Kegelrad	Pignon conique
37	423537	Distanziale	Spacer	Distanzstueck	Entretoise
38	423711	Albero porta pignone	Shaft	Welle	Arbre
39	094002	Motorsild	Motorsild	Motorsild	Motorsild
40	621601	Lanternia porta scatola	Main rotor housing	Hauptwelle halter	Palier boîte de vitesses
41	014297	Vite prigioniera	Screw	Schraube	Vis
42	011013	Rosetta	Spring washer	Scheibe	Rondelle
43	004079	Dado	Nut	Mutter	Ecrou
44	611600	Tappo	Plug	Verschluss	Bouchon
45	622600	Corona Z=26 (spedire con tappo)	Crownwheel	Zahnkranz	Couronne
46	003132	Cuscinetto	Bearing	Kugellager	Roulement
47	623600	Anello	Ring	Ring	Bague
48	623601	Anello	Ring	Ring	Bague
49	611601	Serie spessori	Set spacers	Beilagscheiben	Serie d'epaisseur
50	611605	Spessore	Shim	Distanzring	Epaisseur
51	005015	Ghiera	Ring nut	Nutmutter	Collier
52	007040	Paraolio	Oil seal	Simmerring	Joint d'huile
53	424603	Guarnizione	Gasket	Dichtring	Joint
54	014213	Vite	Screw	Schraube	Vis
55	623604	Spina	Pin	Stift	Goupille





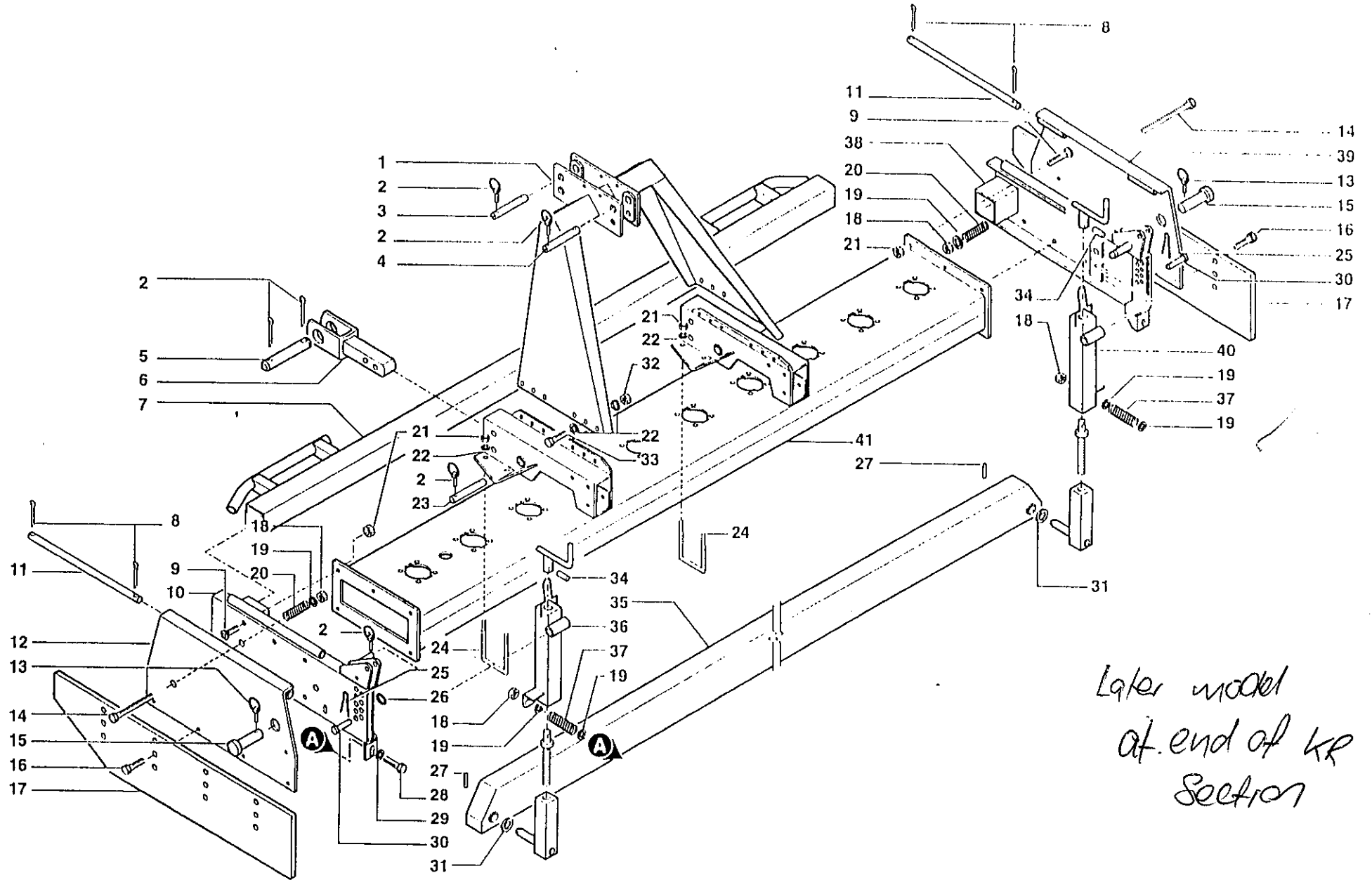
TRASMISSIONE • TRANSMISSION  
ÜBERTRAGUNG • TRANSMISSION

KR

liv  
lab  
Tot 1.03



RIF.	N. CODICE	DENOMINAZIONE	DENOMINATION	BEZEICHNUNG	DENOMINATION
1	014213	Vite	Screw	Schraube	Vis
2	011013	Rosetta	Spring washer	Scheibe	Rondelle
3	008009	Ingrassatore	Grease nipple	Fettbuechse	Graisseur
4	621603	Supporto superiore	Cover	Deckel	Couvercle
5	003136	Cuscinetto	Bearing	Kugellager	Roulement
6	001008	Anello di arresto	Stop ring	Sperring	Bague d'arret
7	623603	Anello	Ring	Ring	Bague
8	62260 <del>7</del> <sup>2</sup>	Ingranaggio centrale	Gear <i>622602</i>	Zahnrad	Engrenage
9	001034	Anello di arresto	Stop ring	Sperring	Bague d'arret
10	003006	Cuscinetto	Bearing	Kugellager	Roulement
11	<del>007159</del>	Paraolio	Oil seal	Simmerring	Joint huile
12	<del>624600</del>	Parapolvere <i>007240</i>	Dust cover	Staubdichtung	Cache anti poussière
13	621602	Supporto inferiore	Support	Halterung	Support
14	62260 <del>5</del> <sup>6</sup>	Albero rotore centrale	Central blade support	Zentralmesserhalterung	Support couteau central
15	004063	Dado	Nut	Mutter	Ecrou
16	011005	Grower	Grower	Federscheibe	Grower
17	622607	Protezione	Protection	Schuetz	Protection
18	622603	Coltello destro	Right blade	Messer rechts	Couteau droite
19	611604	Contropiastra	Plate	Plattchen	Plaque
20	014221	Vite	Screw	Schraube	Vis
21	62260 <del>5</del> <sup>8</sup>	Albero rotore laterale	Lateral blade support	Settenne	Arbre
22	622604	Coltello	Blade	Rechtes	Couteau
23	623615	Bussola	Bush	Buchse	Bague
24	62260 <del>7</del> <sup>1</sup>	Ingranaggio laterale	Trasmission gear <i>622601</i>	Seitliche zahnrad	Engrenage lateral
25	094002	Motorsild D Arexons	Motorsild Tube	Motorsild D Arexons	Motorsild D Arexons



TELAIO • FRAME  
 RAHMEN • CHÂSSIS

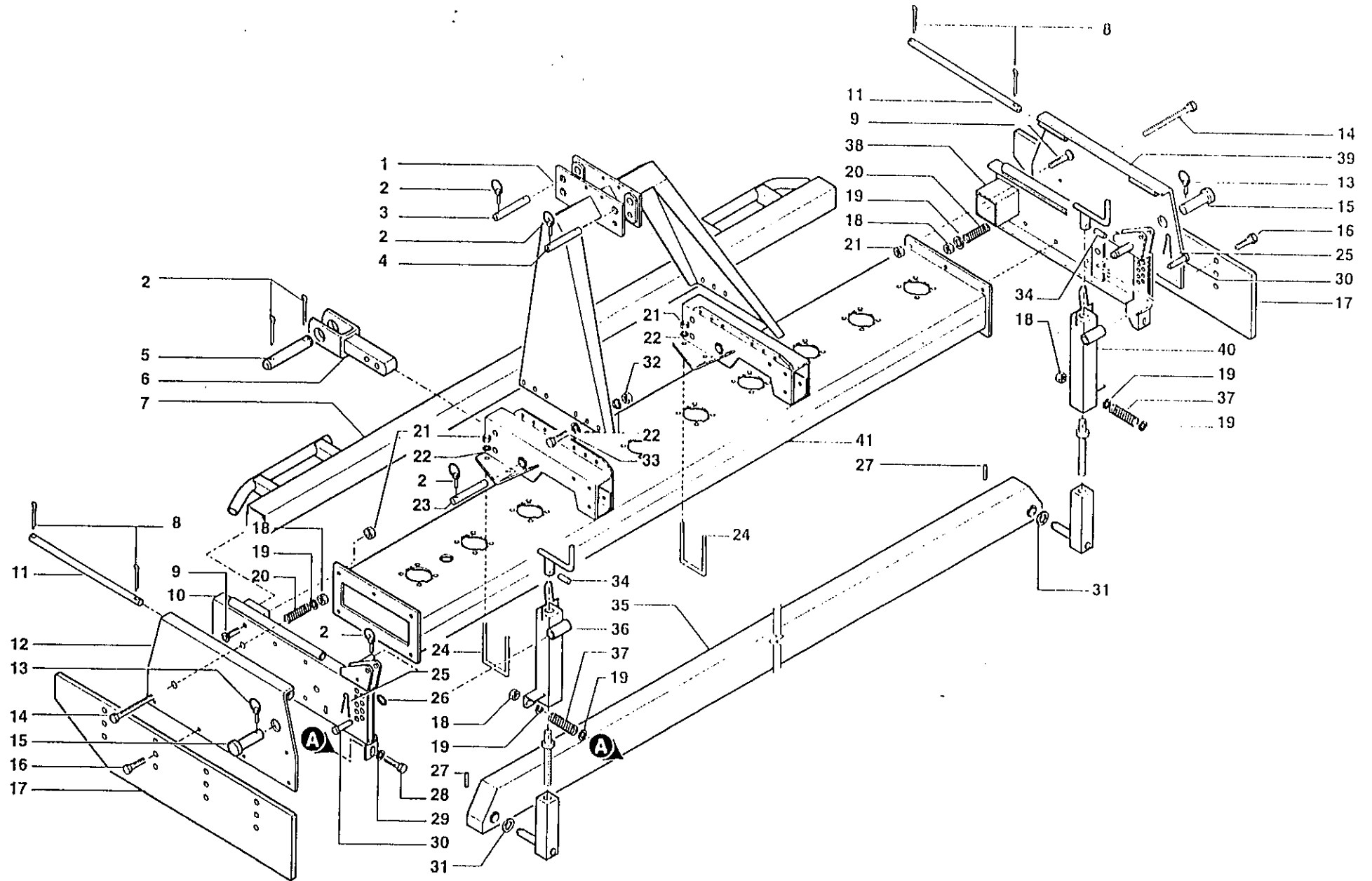
KR

Tav	1.04	0
Tab		
fol		





RIF.	N. CODICE	DENOMINAZIONE	DENOMINATION	BEZEICHNUNG	DENOMINATION	
1	661649	Castello 3° punto	Third point	Hebe boch	Bati 3 point	
2	013011	Spina	Pin	Stift	Goupille	
3	423719	Perno	Pivot	Bolzen	Axe	
4	423743	Perno	Pivot	Bolzen	Axe	
5	423718	Perno	Pivot	Bolzen	Axe	
6	461875	Braccio	Arm	Arm	Bras	
<input type="checkbox"/> 250	7	662662	Barra rompitraccia	Soil loosening tine	Spurlockerer	Brise tracer
<input type="checkbox"/> 300		662663	Barra rompitraccia	Soil loosening tine	Spurlockerer	Brise tracer
<input type="checkbox"/> 350		662664	Barra rompitraccia	Soil loosening tine	Spurlockerer	Brise tracer
<input type="checkbox"/> 400		662665	Barra rompitraccia	Soil loosening tine	Spurlockerer	Brise tracer
8	002012	Copiglia	Split pin	Hohlstift	Goupille	
9	014159	Vite	Screw	Schraube	Vis	
10	662655	Laterale sinistro	L.H. side shield	L.H. seitlicher schild	Joue gauche	
11	623410	Perno	Pivot	Bolzen	Axe	
12	662657	Laterale parazole sinistro	Clod bumper	Erddklumpenschutz	Pare-mottes	
13	013023	Spina	Pin	Stift	Goupille	
14	014237	Vite	Screw	Schraube	Vis	
15	623729	Perno	Pivot	Bolzen	Axe	
16	014205	Vite	Screw	Schraube	Vis	
17	662659	Laterale	Side plate	Nenenblech	Allonge laterale deflecteur	
18	004066	Dado	Nut	Mutter	Ecrou	
19	623626	Rondella	Washer	Scheibe	Rondelle	
20	623627	Molla	Spring	Feder	Ressort	
21	004101	Dado	Nut	Mutter	Ecrou	
22	010005	Rondella	Washer	Scheibe	Rondelle	
23	423720	Perno	Pivot	Bolzen	Axe	
24	623750	Cavallotto	U bolt	Bügelbolzen	Crampillon	
25	002014	Copiglia	Split pin	Hohlstift	Goupille	
26	010002	Rondella	Washer	Scheibe	Rondell	
27	013047	Spina	Pin	Stift	Goupille	
28	014356	Vite	Screw	Schraube	Vis	
29	010004	Rondella	Washer	Scheibe	Rondelle	



TELAIO • FRAME  
RAHMEN • CHÂSSIS

KR

liv. 1.04  
fab. 0



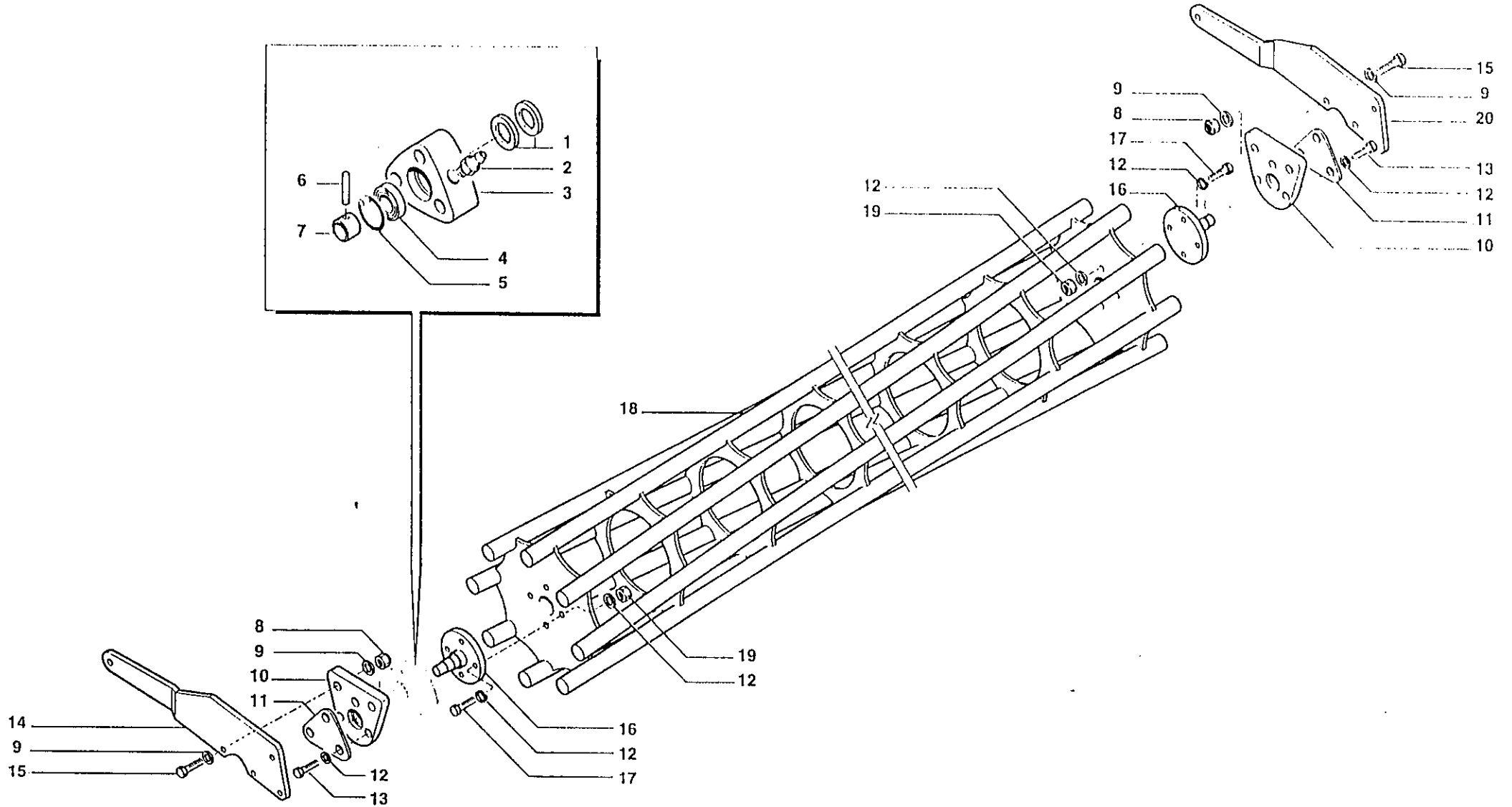
TELAIO • FRAME  
RAHMEN • CHÂSSIS

KR

Tav.  
fab.  
tal

1.04<sub>0</sub>

RIF.	N. CODICE	DENOMINAZIONE	DENOMINATION	BEZEICHNUNG	DENOMINATION	
	30	332515	Perno	Pivot	Bolzen	Axe
	31	010011	Rondella	Washer	Scheibe	Rondelle
	32	004079	Dado	Nut	Mutter	Ecrou
	33	014213	Vite	Screw	Schraube	Vis
	34	013043	Spina	Pin	Stift	Goupille
250	35	662570	Barra livellatrice	Levelling bar	Planierbalken	Barre niveleuse
300		662571	Barra livellatrice	Levelling bar	Planierbalken	Barre niveleuse
350		662670	Barra livellatrice	Levelling bar	Planierbalken	Barre niveleuse
400		662671	Barra livellatrice	Levelling bar	Planierbalken	Barre niveleuse
	36	662680	Vite di regolazione sinistra	Threaded bar	Spindel	Vis de réglage
	37	623624	Molla	Spring	Feder	Ressort
	38	662656	Laterale destro	R.H. panel	Seitenblech	Latéral droite
	39	662658	Laterale parazole destro	Clod bumper	Erdblumpenschutz	Pare-molles
	40	662681	Vite di regolazione destra	Threaded bar	Spindel	Vis de réglage
250	41	662674	Telaio	Frame	Rahmen	Châssis
300		662675	Telaio	Frame	Rahmen	Châssis
350		662676	Telaio	Frame	Rahmen	Châssis
400		662677	Telaio	Frame	Rahmen	Châssis



RULLO GABBIA • CAGE ROLLER  
KAFIGWALZE • ROULEAU CAGE

KR

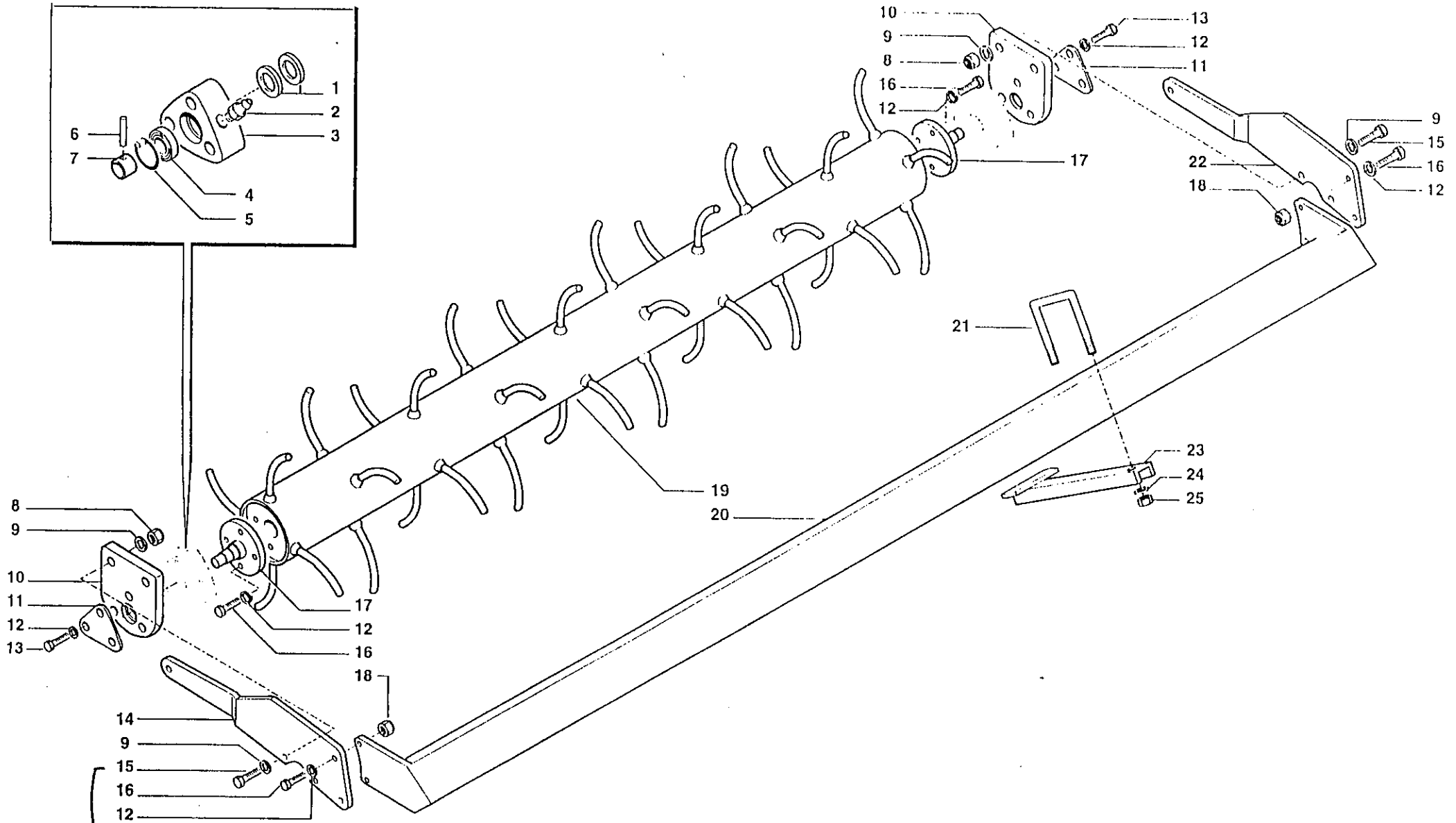
Rev	1.05	0
Ed.		
Int.		



RIF.	N. CODICE	DENOMINAZIONE	DENOMINATION	BEZEICHNUNG	DENOMINATION
1	099018	Parapolvere	Dust cover	Staubdeckel	Cache anti poussière
2	008005	Ingrassatore	Grease nipple	Fettbuechse	Graisser
3	421604	Supporto	Support	Halterung	Support
4	003051	Cuscinetto	Bearing	Kugellager	Roulement
5	001006	Anello di arresto	Stop ring	Sperring	Bague d'arret
6	013019	Spina	Pin	Stift	Goupille
7	661403	Anello	Ring	Ring	Bague
8	004072	Dado	Nut	Mutter	Ecrou
9	010006	Rondella	Washer	Scheibe	Rondelle
10	661402	Piastra	Plate	Plate	Platte
11	612372	Piastra	Plate	Plate	Platte
12	011003	Grower	Grower	Federscheibe	Grower
13	014145	Vite	Screw	Schraube	Vis
14	661425	Braccio	Arm	Arm	Bras
15	014198	Vite	Screw	Schraube	Vis
16	661401	Flangia	Flange	Flansch	Flasque
17	014229	Vite	Screw	Schraube	Vis
18	661303	Rotore	Rotor	Rotor	Rotor
	661304	Rotore	Rotor	Rotor	Rotor
	661305	Rotore	Rotor	Rotor	Rotor
	661306	Rotore	Rotor	Rotor	Rotor
19	004030	Dado	Nut	Mutter	Ecrou
20	661426	Braccio	Arm	Arm	Bras

250  
300  
350  
400





if this needs a c/s socket screw use 014 198.65.



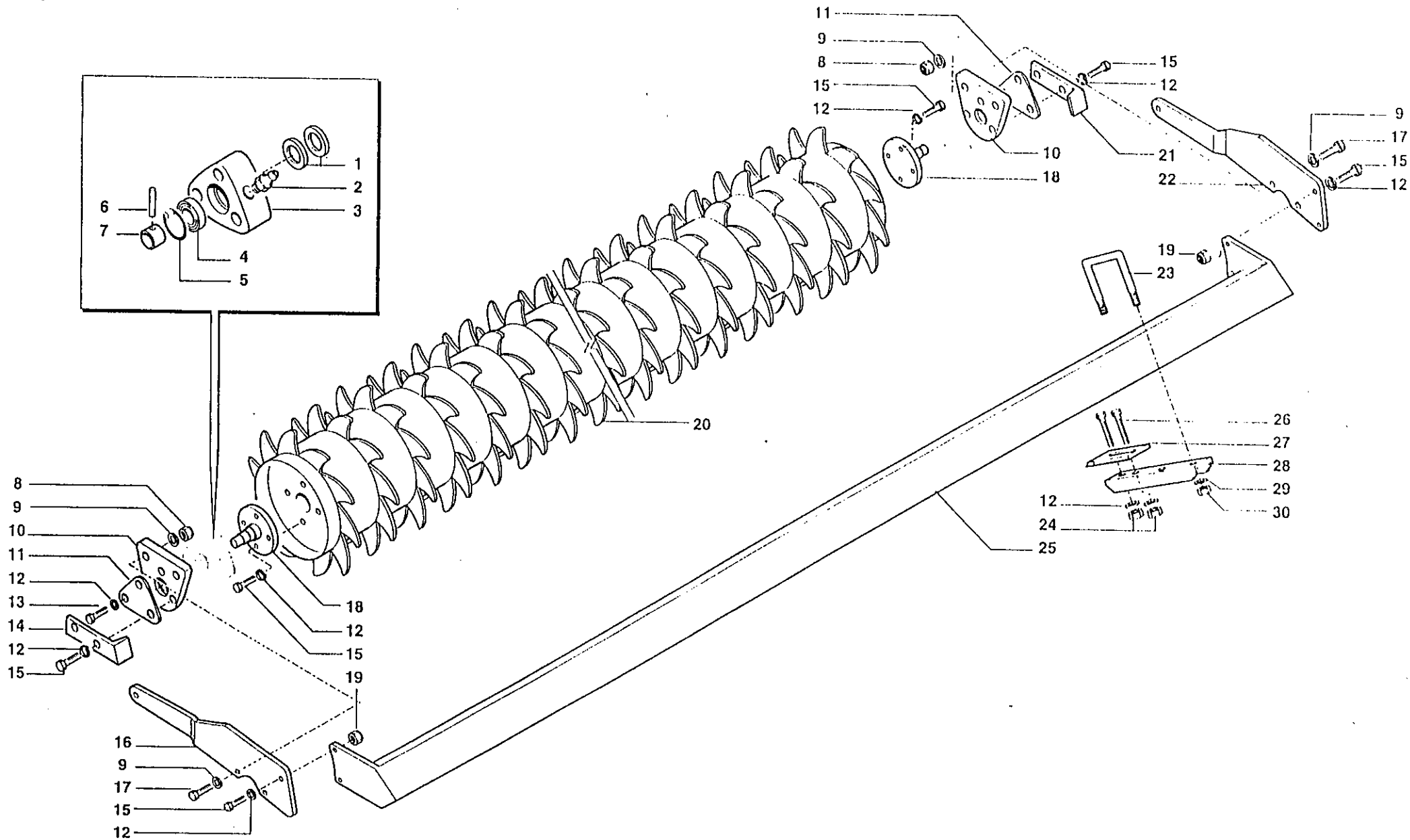
RULLO SPUNTONI • SPIKES ROLLER  
 STACHELWALZE • ROULEAU POINTES

KR

hw	1.06
lab	
lot	



RIF.	N. CODICE	DENOMINAZIONE	DENOMINATION	BEZEICHNUNG	DENOMINATION
1	099018	Parapolvere	Dust cover	Staubdeckel	Cache anti poussière
2	008005	Ingrassatore	Grease nipple	Fettbuechse	Graisser
3	421604	Supporto	Support	Halterung	Support
4	003051	Cuscinetto	Bearing	Kugellager	Roulement
5	001006	Anello di arresto	Stop ring	Sperring	Bague d'arret
6	013019	Spina	Pin	Stift	Goupille
7	661403	Anello	Ring	Ring	Bague
8	004072	Dado	Nut	Mutter	Ecrou
9	010006	Rondella	Washer	Scheibe	Rondelle
10	661406	Piastra	Plate	Plate	Platte
11	612372	Piastra	Plate	Plate	Platte
12	011003	Grower	Grower	Federscheibe	Grower
13	014145	Vite	Screw	Schraube	Vis
14	661425	Braccio	Arm	Arm	Bras
15	014198	Vite	Screw	Schraube	Vis
16	014229	Vite	Screw	Schraube	Vis
17	661401	Flangia	Flange	Flansch	Flasque
18	004079	Dado	Nut	Mutter	Ecrou
250	19	661310	Rotore	Rotor	Rotor
300		661311	Rotore	Rotor	Rotor
350		661312	Rotore	Rotor	Rotor
400		661313	Rotore	Rotor	Rotor
250	20	661417	Porta raschietto	Scratcher support	Porte-racloir
300		661418	Porta raschietto	Scratcher support	Porte-racloir
350		661419	Porta raschietto	Scratcher support	Porte-racloir
400		661420	Porta raschietto	Scratcher support	Porte-racloir
21	623750	Cavallotto	U bolt	Bügelbolzen	Crampillon
22	661426	Braccio	Arm	Arm	Bras
23	611411	Raschietto	Scraper	Schaber	Racloir
24	010005	Rondella	Washer	Scheibe	Rondelle
25	004101	Dado	Nut	Mutter	Ecrou



RULLO PACKER • PACKER ROLLER  
PACKERWALZE • ROULEAU PACKER

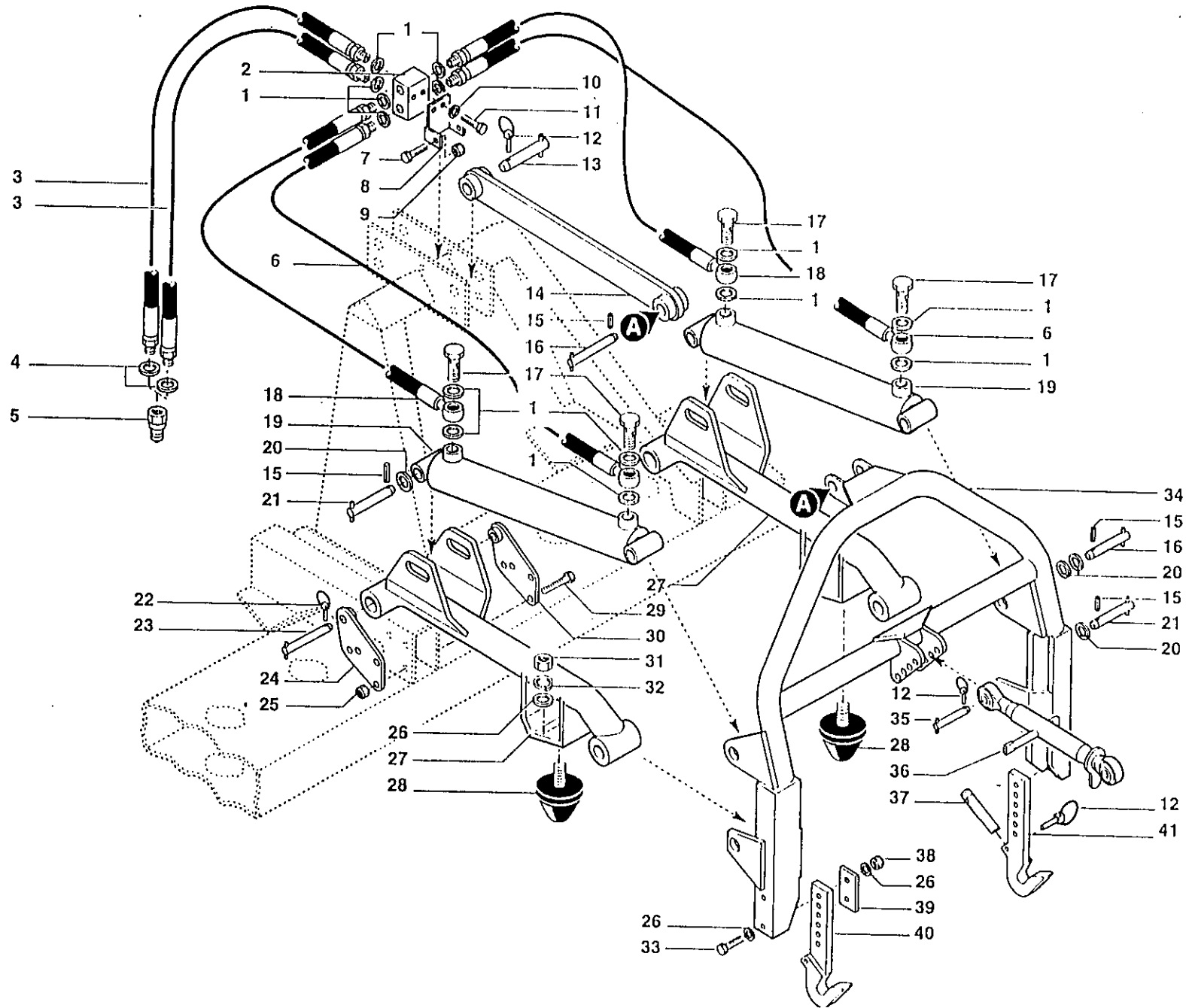
KR

liv  
lab. 1.07  
lat

RIF.	N. CODICE	DENOMINAZIONE	DENOMINATION	BEZEICHNUNG	DENOMINATION
1	099018	Parapolvere	Dust cover	Staubdeckel	Cache anti poussière
2	008005	Ingrassatore	Grease nipple	Fettbuechse	Graisneur
3	421604	Supporto	Support	Halterung	Support
4	003051	Cuscinetto	Bearing	Kugellager	Roulement
5	001006	Anello di arresto	Stop ring	Sperring	Bague d'arret
6	013019	Spina	Pin	Stift	Goupille
7	661403	Anello	Ring	Ring	Bague
8	004072	Dado	Nut	Mutter	Ecrou
9	010006	Rondella	Washer	Scheibe	Rondelle
10	661402	Piastra	Plate	Plate	Platte
11	612372	Piastra	Plate	Plate	Platte
12	011003	Grower	Grower	Federscheibe	Grower
13	014145	Vite	Screw	Schraube	Vis
14	423776	Raschietto	Scraper	Schaber	Racloir
15	014229	Vite	Screw	Schraube	Vis
16	661425	Braccio	Arm	Arm	Bras
17	014198	Vite	Screw	Schraube	Vis
18	661401	Flangia	Flange	Flansch	Flasque
19	004079	Dado	Nut	Mutter	Ecrou
250	20	661317	Rotore	Rotor	Rotor
300		661318	Rotore	Rotor	Rotor
350		661319	Rotore	Rotor	Rotor
400		661320	Rotore	Rotor	Rotor
21	423775	Raschietto	Scraper	Schaber	Racloir
22	661426	Braccio	Arm	Arm	Bras
23	623750	Cavallotto	U bolt	Bügelbolzen	Crampillon
24	004030	Dado	Nut	Mutter	Ecrou
250	25	661417	Porta raschietto	Scratcher support	Porte-racloir
300		661418	Porta raschietto	Scratcher support	Porte-racloir
350		661419	Porta raschietto	Scratcher support	Porte-racloir
400		661420	Porta raschietto	Scratcher support	Porte-racloir
26	014145	Vite	Screw	Schraube	Vis



RIF.	N. CODICE	DENOMINAZIONE	DENOMINATION	BEZEICHNUNG	DENOMINATION
27	423773	Raschietto	Scraper	Schaber	Racloir
28	661404	Porta raschietto	Scratcher support	Schaberhalter	Porte-racloir
29	010005	Rondella	Washer	Scheibe	Rondelle
30	004101	Dado	Nut	Mutter	Ecrou



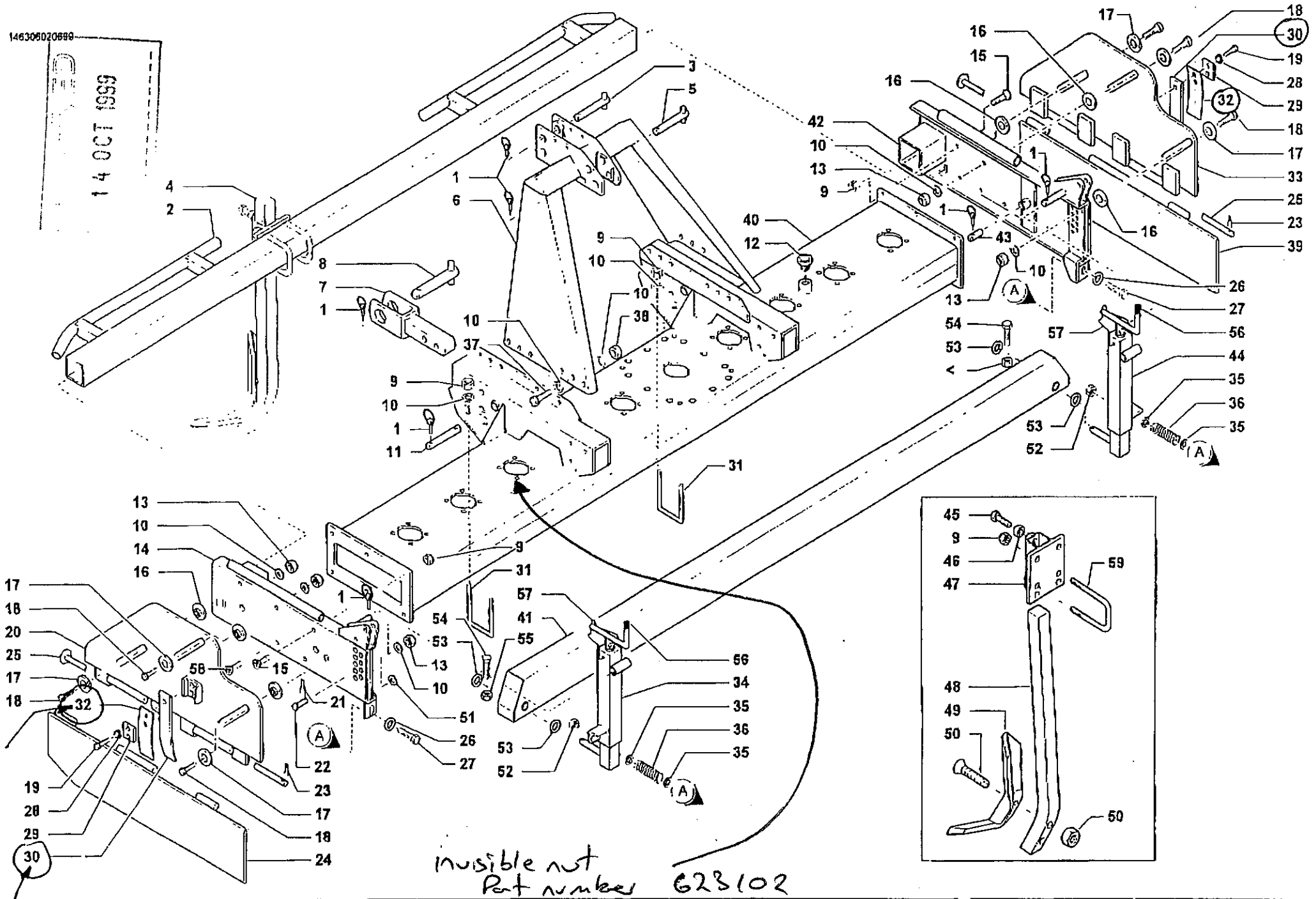
ATTACCO IDRAULICO SEMINATRICE • DRILLING NACH. 3P HITCH  
 HYDRAULISCHE ANSCHLUESSEN FUER SEEMASCHINE • ATTELAGE HYDRAULIQUE POUR SEMOIR

KR

1.09

146306020699

14 OCT 1999



invisible nut  
Part number 623102

TELAIO • FRAME  
RAHMEN • CHÂSSIS



Tav	146306	Rev	02 0699
Tab			



RIF.	N. CODICE	DENOMINAZIONE	DENOMINATION	BEZEICHNUNG	DENOMINATION	
	1	013011	Spina	Pin	Stift	Goupille
250	2	662662	Barra rompitraccia	Soil loosening tine	Spurlockerer	Brise tracer
360		662663	Barra rompitraccia	Soil loosening tine	Spurlockerer	Brise tracer
350		662664	Barra rompitraccia	Soil loosening tine	Spurlockerer	Brise tracer
400		662665	Barra rompitraccia	Soil loosening tine	Spurlockerer	Brise tracer
	3	423719	Perno	Pivot	Bolzen	Axe
	4	971509	Rompitraccia completo	Loosening tine	Spurspurlockerer	Brise traces
	5	423743	Perno	Pivot	Bolzen	Axe
	6	661649	Castello 3° punto	Third point	Hebe boch	Bati 3 point
	7	461875	Braccio	Arm	Arm	Bras
	8	423718	Perno	Pivot	Bolzen	Axe
	9	004101	Dado	Nut	Mutter	Ecrou
	10	010005	Rondella	Washer	Scheibe	Rondelle
	11	423720	Perno	Pivot	Bolzen	Axe
	12	022095	Tappo	Plug	Verschluss	Bouchon
	13	004034	Dado	Nut	Mutter	Ecrou
	14	662655	Laterale sinistro	L.H. side shield	L.H. seitlicher schild	Lateral gauche
	15	014367	Vite	Screw	Schraube	Vis
	16	623418	Blocchetto di fissaggio	Stop plate	Schweislappen	Bloc de fixation
	17	623417	Rondella	Washer	Scheibe	Rondelle
	18	014372	Vite	Screw	Schraube	Vis
	19	014375	Vite	Screw	Schraube	Vis
	20	661591	Laterale parazolle	Clod bumper	Erdklumpenschutz	Pare-mottes
	21	002014	Copiglia	Split pin	Hohlstift	Goupille
	22	332515	Perno	Pivot	Bolzen	Axe
	23	002012	Copiglia	Split pin	Hohlstift	Goupille
	24	661595	Prolunga laterale parazolle	Extension clod bumper	Erdklumpenschutz	Rallonge pare-mottes
	25	661571	Perno	Pivot	Bolzen	Axe
	26	010004	Rondella	Washer	Scheibe	Rondelle
	27	014356	Vite	Screw	Schraube	Vis
	28	011007	Grower	Grower	Federscheibe	Grower
	29	623640	Piastra di fissaggio balestra	Fixing / leaf spring plate	Blattfeder befestigung platte	Plaque fixation lame ressort
30	30	623642	Balestra laterale parazolle	Side <del>plate</del> <sup>PLATE</sup> leaf spring	Seitige schutzscholle blattfeder	Lame ressort lateral
	31	623750	Cavallotto	U bolt	Bügelbolzen	Crampillon





RIF.	N. CODICE	DENOMINAZIONE	DENOMINATION	BEZEICHNUNG	DENOMINATION
32	623643	Balestra	Side plate leaf spring	Blattfeder	Lame ressort
33	661590	Laterale parazole	Clod bumper	Erdblumpenschutz	Pare-mottes
34	662680	Vite di regolazione	Threaded bar	Spindel	Vis de réglage
35	623626	Rondella	Washer	Scheibe	Rondelle
36	623624	Molla	Spring	Feder	Ressort
37	014213	Vite	Screw	Schraube	Vis
38	004079	Dado	Nut	Mutter	Ecrou
39	661594	Prolunga laterale parazole	Extension clod bumper	Erdblumpenschutz	Rallonge pare-mottes
250	40	662674	Telaio	Frame	Châssis
300		662675	Telaio	Frame	Châssis
350		662676	Telaio	Frame	Châssis
400		662677	Telaio	Frame	Châssis
250	41	662570	Barra livellatrice	Levelling bar	Barre niveleuse
300		662571	Barra livellatrice	Levelling bar	Barre niveleuse
350		662670	Barra livellatrice	Levelling bar	Barre niveleuse
400		662671	Barra livellatrice	Levelling bar	Barre niveleuse
	42	662656	Laterale destro	R.H. panel	Lateral droite
	43	623414	Perno	Pivot	Axe
	44	662681	Vite di regolazione	Threaded bar	Vis de réglage
	45	014246	Vite	Screw	Vis
	46	004004	Dado	Nut	Ecrou
	47	661917	Supporto	Support	Support
	48	099122	Dente di supporto	Support	Support
	49	099120	Ancora per rompitraccia	Ripper leg	Bras du ripper
	50	014354	Vite	Screw	Vis
	51	010002	Rondella	Washer	Rondelle
	52	004066	Dado	Nut	Ecrou
	53	010011	Rondella	Washer	Rondelle
	54	014036	Vite	Screw	Vis
	55	004055	Dado	Nut	Ecrou
	56	022157	Tappo	Plug	Bouchon
	57	612891	Molla di bloccaggio	Spring	Ressort de blocage
	58	014367	Vite	Screw	Vis
	59	623747	Cavallotto	U bolt	Crampillon