

Smussi non quotati 0,5x45°	Raggi non quotati R=0,5	cod. 18.01.0812	rev. 00	
Tolleranze di forma e posizione secondo UNI 7226-73 Tolleranze generali non indicate foro H13-albero h13 lineari JS13 - angolari±30'		mod. AF		
des. Esploso complessivo AF		mat.		
		data 31/08/12	dis.da Diego	app.da

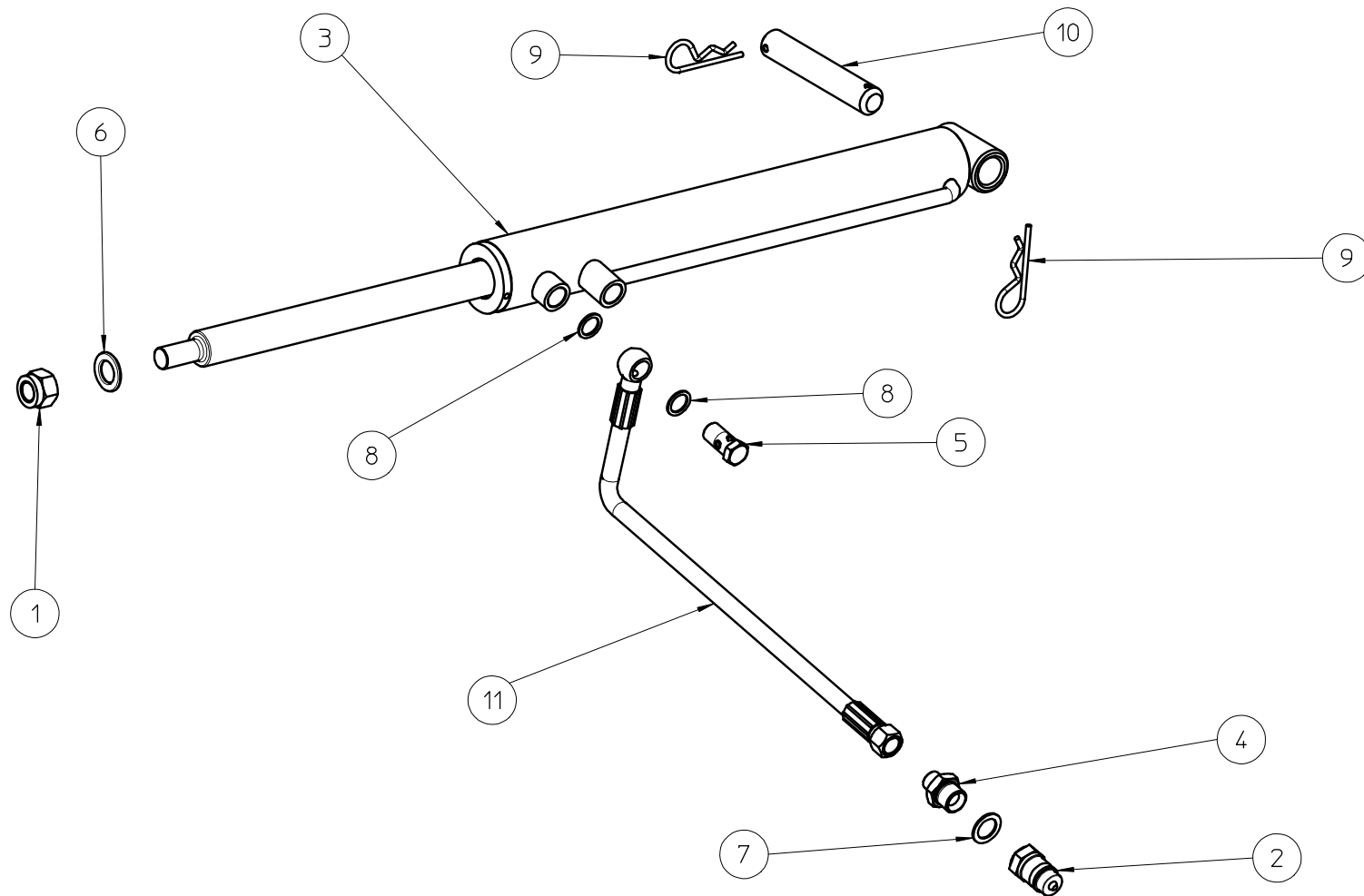
© Le informazioni contenute nel presente documento sono di proprietà della BERTI MACCHINE AGRICOLE SPA e non possono essere riprodotte o trasmesse a terzi in alcun modo senza esplicita approvazione scritta della BERTI MACCHINE AGRICOLE SPA o di un suo rappresentante debitamente autorizzato.



Pos.	Description	AF 105	AF 115	AF 125	AF 135	AF 145	AF 160	AF 180	AF 200
28	Flange	FRZ/1338	FRZ/1338	FRZ/1338	FRZ/1338	FRZ/1338	FRZ/1338	FRZ/1338	FRZ/1338
29	OR 4325 Seal	GOR4325	GOR4325	GOR4325	GOR4325	GOR4325	GOR4325	GOR4325	GOR4325
30	Greaser 10X1	IN101XX90	IN101XX90	IN101XX90	IN101XX90	IN101XX90	IN101XX90	IN101XX90	IN101XX90
31	Greaser	IN101XXDR	IN101XXDR	IN101XXDR	IN101XXDR	IN101XXDR	IN101XXDR	IN101XXDR	IN101XXDR
32	Tripping pin	MF070550205Z	MF070550205Z	MF070550205Z	MF070550205Z	MF070550205Z	MF070550205Z	MF070550205Z	MF070550205Z
33	Hammer type "L"	ML/0007	ML/0007	ML/0007	ML/0007	ML/0007	ML/0007	ML/0007	ML/0007
34	Hammer type "P"	MP/0008	MP/0008	MP/0008	MP/0008	MP/0008	MP/0008	MP/0008	MP/0008
35	Roller bracket	PA/4466	PA/4466	PA/4466	PA/4466	PA/4466	PA/4466	PA/4466	PA/4466
36	Frontal flap 99x160	PA04/2217	PA04/2217	PA04/2217	PA04/2217	PA04/2217	PA04/2217	PA04/2217	PA04/2217
37	Frontal flap 99x160	PA04/2219	PA04/2219	PA04/2219	PA04/2219	PA04/2219	PA04/2219	PA04/2219	PA04/2219
38	Parking stand	PA38380	PA38380	PA38380	PA38380	PA38380	PA38380	PA38380	PA38380
39	Extension	*	*	*	*	*	*	*	*
40	Roller scraper	PC105/3576	PC115/3576	PC125/3576	PC135/3576	PC145/3576	PC160/3576	PC180/3576	PC200/3576
41	Plate th.7	PCF/5163	PCF/5163	PCF/5163	PCF/5163	PCF/5163	PCF/5163	PCF/5163	PCF/5163
42	Pin	PE0150110	PE0150110	PE0150110	PE0150110	PE0150110	PE0150110	PE0150110	PE0150110
43	Flap rod D. 18	PE0181080	PE0181180	PE0181280	PE0181380	PE0181480	PE0181630	PE0181830	PE0182030
44	Fixing plate	PF/0365	PF/0365	PF/0365	PF/0365	PF/0365	PF/0365	PF/0365	PF/0365
45	Gearbox fixing plate	PF07/2104	PF07/2104	PF07/2104	PF07/2104	PF07/2104	PF07/2104	PF07/2104	PF07/2104
46	Pulley D.150	PG150G3	PG150G3	PG150G3	PG150G3	PG150G3	PG150G3	PG150G3	PG150G4
47	Pulley D.200	PG200G3ML	PG200G3ML	PG200G3ML	PG200G3ML	PG200G3ML	PG200G3ML	PG200G3ML	PG200G4
48	Side protection	PL100600	PL100600	PL100600	PL100600	PL100600	PL100600	PL100600	PL100600
49	Belt-tightening plate	PT08/0459	PT08/0459	PT08/0459	PT08/0459	PT08/0459	PT08/0459	PT08/0459	PT08/0459
50	Rotor	RB127105	RB127115	RB127125	RB127135	RB127145	RB127160	RB127180	RB139200
51	Washer 12,5x36	RF1236FN	RF1236FN	RF1236FN	RF1236FN	RF1236FN	RF1236FN	RF1236FN	RF1236FN
52	Washer 14,5x42	RF1442FN	RF1442FN	RF1442FN	RF1442FN	RF1442FN	RF1442FN	RF1442FN	RF1442FN
53	Grower washer d.12	RG12XXARN	RG12XXARN	RG12XXARN	RG12XXARN	RG12XXARN	RG12XXARN	RG12XXARN	RG12XXARN
54	Grower washer d.14	RG14XXARN	RG14XXARN	RG14XXARN	RG14XXARN	RG14XXARN	RG14XXARN	RG14XXARN	RG14XXARN
55	Levelling roller D.139	RL13904105/4462	RL13904115/4462	RL13904125/4462	RL13904135/4462	RL13904145/4462	RL13906160/4462	RL13906180/4462	RL13906200/4462

Pos.	Description	AF 105	AF 115	AF 125	AF 135	AF 145	AF 160	AF 180	AF 200
56	Washer 26x44 th.8	RO264408Z	RO264408Z	RO264408Z	RO264408Z	RO264408Z	RO264408Z	RO264408Z	RO264408Z
57	Washer D.10	RP10XXFZ	RP10XXFZ	RP10XXFZ	RP10XXFZ	RP10XXFZ	RP10XXFZ	RP10XXFZ	RP10XXFZ
58	Washer d.14	RP14XXFN	RP14XXFN	RP14XXFN	RP14XXFN	RP14XXFN	RP14XXFN	RP14XXFN	RP14XXFN
59	Washer D.18	RP18XXFN	RP18XXFN	RP18XXFN	RP18XXFN	RP18XXFN	RP18XXFN	RP18XXFN	RP18XXFN
60	Washer D.18	RP18XXFZ	RP18XXFZ	RP18XXFZ	RP18XXFZ	RP18XXFZ	RP18XXFZ	RP18XXFZ	RP18XXFZ
61	Washer 40,2x52x4	RP405204N	RP405204N	RP405204N	RP405204N	RP405204N	RP405204N	RP405204N	RP405204N
62	Gearbox	*	*	*	*	*	*	*	*
63	Universal joint support	SC/0352	SC/0352	SC/0352	SC/0352	SC/0352	SC/0352	SC/0352	SC/0352
64	Elastic pin d. 6x20	SE06020	SE06020	SE06020	SE06020	SE06020	SE06020	SE06020	SE06020
65	Elastic pin D.6x60	SE06060	SE06060	SE06060	SE06060	SE06060	SE06060	SE06060	SE06060
66	Skid (right)	SLDX/1491	SLDX/1491	SLDX/1491	SLDX/1491	SLDX/1491	SLDX/1491	SLDX/1491	SLDX/1491
67	Skid (left)	SLSX/1491	SLSX/1491	SLSX/1491	SLSX/1491	SLSX/1491	SLSX/1491	SLSX/1491	SLSX/1491
68	3° point pin D.25 D.19 L.190	SP25190Z	SP25190Z	SP25190Z	SP25190Z	SP25190Z	SP25190Z	SP25190Z	SP25190Z
69	Low link pin D.28 d.22 L.190	SP28190Z	SP28190Z	SP28190Z	SP28190Z	SP28190Z	SP28190Z	SP28190Z	SP28190Z
70	Rotor support	SR127/0118	SR127/0118	SR127/0118	SR127/0118	SR127/0118	SR127/0118	SR127/0118	SR139/1438
71	Pin	SSX10Z	SSX10Z	SSX10Z	SSX10Z	SSX10Z	SSX10Z	SSX10Z	SSX10Z
72	3° point linkage	TC02/2681	TC02/2681	TC02/2681	TC02/2681	TC02/2681	TC02/2681	TC02/2681	TC02/2681
73	Screw M8x12	V0801202TF109Z	V0801202TF109Z	V0801202TF109Z	V0801202TF109Z	V0801202TF109Z	V0801202TF109Z	V0801202TF109Z	V0801202TF109Z
74	Screw 10x30	V100301TF088N	V100301TF088N	V100301TF088N	V100301TF088N	V100301TF088N	V100301TF088N	V100301TF088N	V100301TF088N
75	Screw 10x35	V100351TF088Z	V100351TF088Z	V100351TF088Z	V100351TF088Z	V100351TF088Z	V100351TF088Z	V100351TF088Z	V100351TF088Z
76	Screw M12x30	V120302TF088N	V120302TF088N	V120302TF088N	V120302TF088N	V120302TF088N	V120302TF088N	V120302TF088N	V120302TF088N
77	Screw M12x35	V120352TF088N	V120352TF088N	V120352TF088N	V120352TF088N	V120352TF088N	V120352TF088N	V120352TF088N	V120352TF088N
78	Screw M12x35	V120353TF109N	V120353TF109N	V120353TF109N	V120353TF109N	V120353TF109N	V120353TF109N	V120353TF109N	V120353TF109N
79	Screw M12x40	V120402TF088N	V120402TF088N	V120402TF088N	V120402TF088N	V120402TF088N	V120402TF088N	V120402TF088N	V120402TF088N
80	Screw M14x30	V140302TF088N	V140302TF088N	V140302TF088N	V140302TF088N	V140302TF088N	V140302TF088N	V140302TF088N	V140302TF088N
81	Screw M14x40	V140402PF109N	V140402PF109N	V140402PF109N	V140402PF109N	V140402PF109N	V140402PF109N	V140402PF109N	V140402PF109N
82	Screw M16x40	V160402TF109N	V160402TF109N	V160402TF109N	V160402TF109N	V160402TF109N	V160402TF109N	V160402TF109N	V160402TF109N

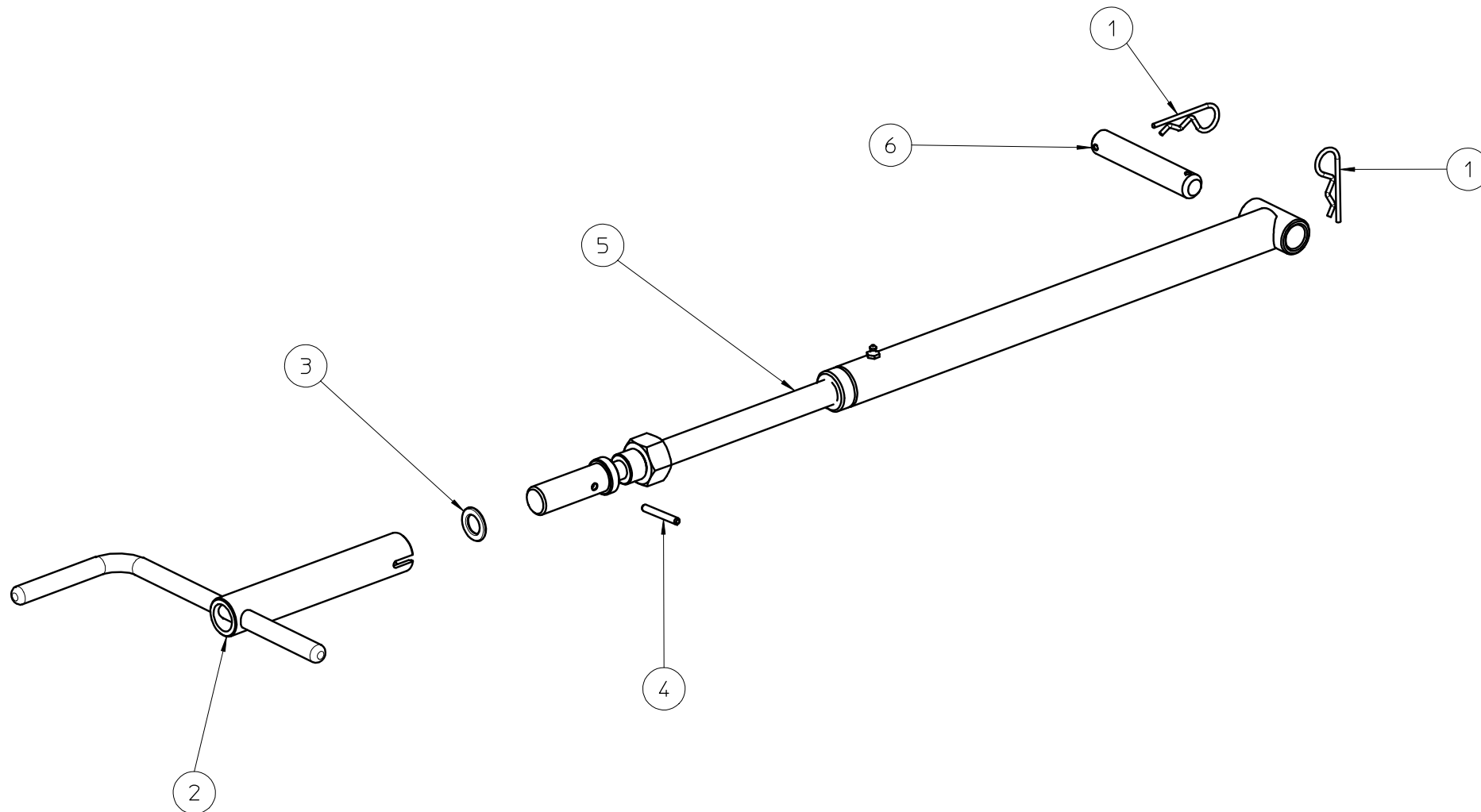
\* advise Nr. Plate of the gearbox



Smussi non quotati 0,5x45°	Raggi non quotati R=0,5	cod. 18.12.0912	rev. 00	
Tolleranze di forma e posizione secondo UNI 7226-73 Tolleranze generali non indicate foro H13-albero h13 lineari JS13 - angolari±30'	mod. AF AF/L AF/R			
 macchine agricole spa Caldiero (VR)	mat.	des. Esploso circuito oleodinamico AF		
	data 03/09/12	dis.da Diego	app.da	
<small>© Le informazioni contenute nel presente documento sono di proprietà della BERTI MACCHINE AGRICOLE SPA e non possono essere riprodotte o trasmesse a terzi in alcun modo senza esplicita approvazione scritta della BERTI MACCHINE AGRICOLE SPA o di un suo rappresentante debitamente autorizzato.</small>				

**Hydraulic system AF – AF/L – AF/R**

Pos.	Description	AF AF/L AF/R
		105 – 115 – 125 – 135 – 145 – 160 – 180 - 200
1	Nut M18	DE18AL6SPGZAB
2	Male quick coupling	IR12MS
3	Side shift cylinder	MI5028L608
4	Nipple 1/2-3/8	NR1238
5	Drilled connector 3/8" gas	RF38
6	Washer d. 18	RP18XXFZ
7	Washer 1/2 gas	RR12
8	Washer 3/8 gas	RR38
9	Pin D.4	CM04Z
10	Shifting fixing pin	SS/0430
11	Hose L. 1600	T14L1600GA/6029



Smussi non quotati 0,5x45°	Raggi non quotati R=0,5	cod. 18.07.0812	rev. 00	
Tolleranze di forma e posizione secondo UNI 7226-73 Tolleranze generali non indicate foro H13-albero h13 lineari JS13 - angolari±30'	mod. AF AF/L AF/R			
 macchine agricole spa Caldiero (VR)	des. Esploso spostamento meccanico AF	data 31/08/12	dis.da Diego	app.da
	<small>© Le informazioni contenute nel presente documento sono di proprietà della BERTI MACCHINE AGRICOLE SPA e non possono essere riprodotte o trasmesse a terzi in alcun modo senza esplicita approvazione scritta della BERTI MACCHINE AGRICOLE SPA o di un suo rappresentante debitamente autorizzato.</small>			

**Mech. Side shift AF - AF/L - AF/R**

Pos.	Description	AF AF/L AF/R
		105 - 115 - 125 - 135 - 145 - 160 - 180 - 200
1	Pin d. 4	CM04Z
2	Crank L.220 Crank L.350 Crank L.550	MSZ220/0259 MSZ350/0259 MSZ550/0259
3	Washer D.18	RP18XXFZ
4	Elastic pin d. 6x50	SE06050Z
5	Mechanic side shift	SM570/3893
6	Fixing pin	SS/0430





**Steering wheels AF - AF/L**

Pos.	Description	AF AF/L
		105 - 115 - 125 - 135 - 145 - 160 - 180 - 200
1	Nut M12	DE12AL6SPGZAB
2	Nut M14	DE14AL6SPGZAB
3	Nut M16	DE16AL6SPGZAB
4	Greaser	IN101XXDR
5	Right spring for steering wheel	MD/2759
6	Left spring for steering wheel	MS/2760
7	Plate (right)	PDX/3453
8	Pin for steering wheel	PE/2583
9	Plate	PM/3146
10	Plate (left)	PSX/3452
11	Wheel 460 x 190	R460190
12	Washer 10,5x40	RF1040FN
13	Elastic pin D. 6x40	SE06040
14	Support for steering wheel	SR/3138
15	Screw M10x16	V1001602TF109Z
16	Screw M14x25	V140252TF088N
17	Screw M14x40	V140402PF109N
18	Screw M16x50	V160502TF088N