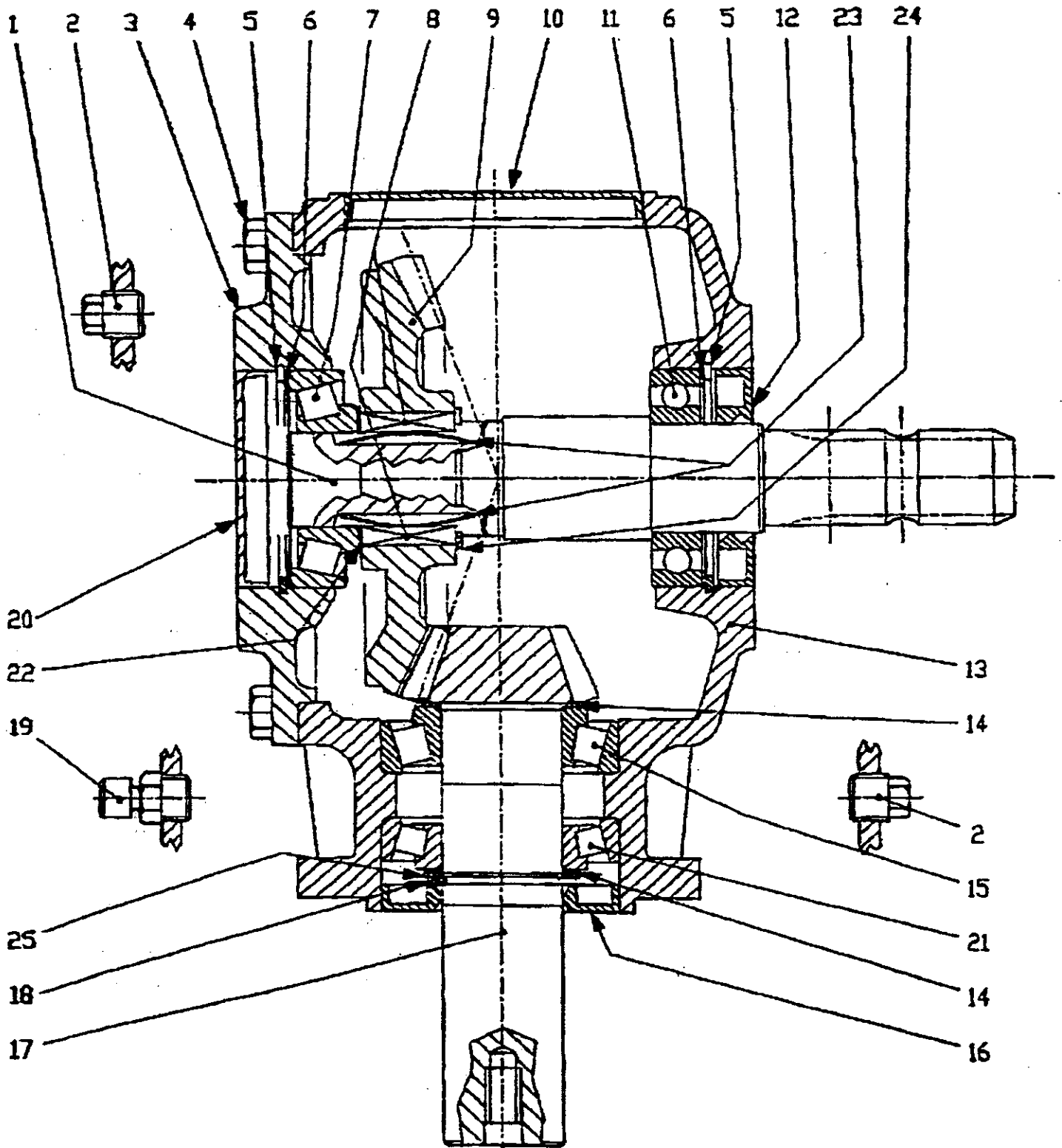


T312 1/3 LH OVERRUN



No.	Code	Part No.	Description
1	21	0.312.2204.00	Input Shaft
2	21	N/S	3/8 Gas Bung
3	21	0.312.1300.00	Front Plate
4	21	N/S	M10 x 25 Bolt
5	21	ASI080	Circlip
6	21	0.267.7500.00	Shim
7	24	003.002	Bearing
8	21	0.267.7109.00	Pawl
9	21	0.312.6007.00	Crownwheel
10	21	8.7.0.00975	Oil Cap
11	21	003.14	Bearing
12	21	355.001040	Oil Seal
13	21	0.312.0300.00	Housing
14	21	0.244.7500.00	Shim
15	21	003025	Bearing
16	21	355002040	Oil Seal
17	21	0.312.5208.00	Pinon Shaft
18	21	8.5.1.00680	Circlip
19	28	373007000	Breather
20	28	372005000	Oil Cap 80x10 OR 8.7.0.00975 OIL CAP 100x10
21	24	003002	Bearing
22	21	0.259.7510.00	Shim
23	21	0.267.7110.00	Leaf Spring
24	21	8.5.1.00712	Circlip
25	21	0.244.7515.00	Shim

Swits TA/P 180, 200

Gearbox marked 312.763.00

Gearbox Complete. S'0312R130CRK