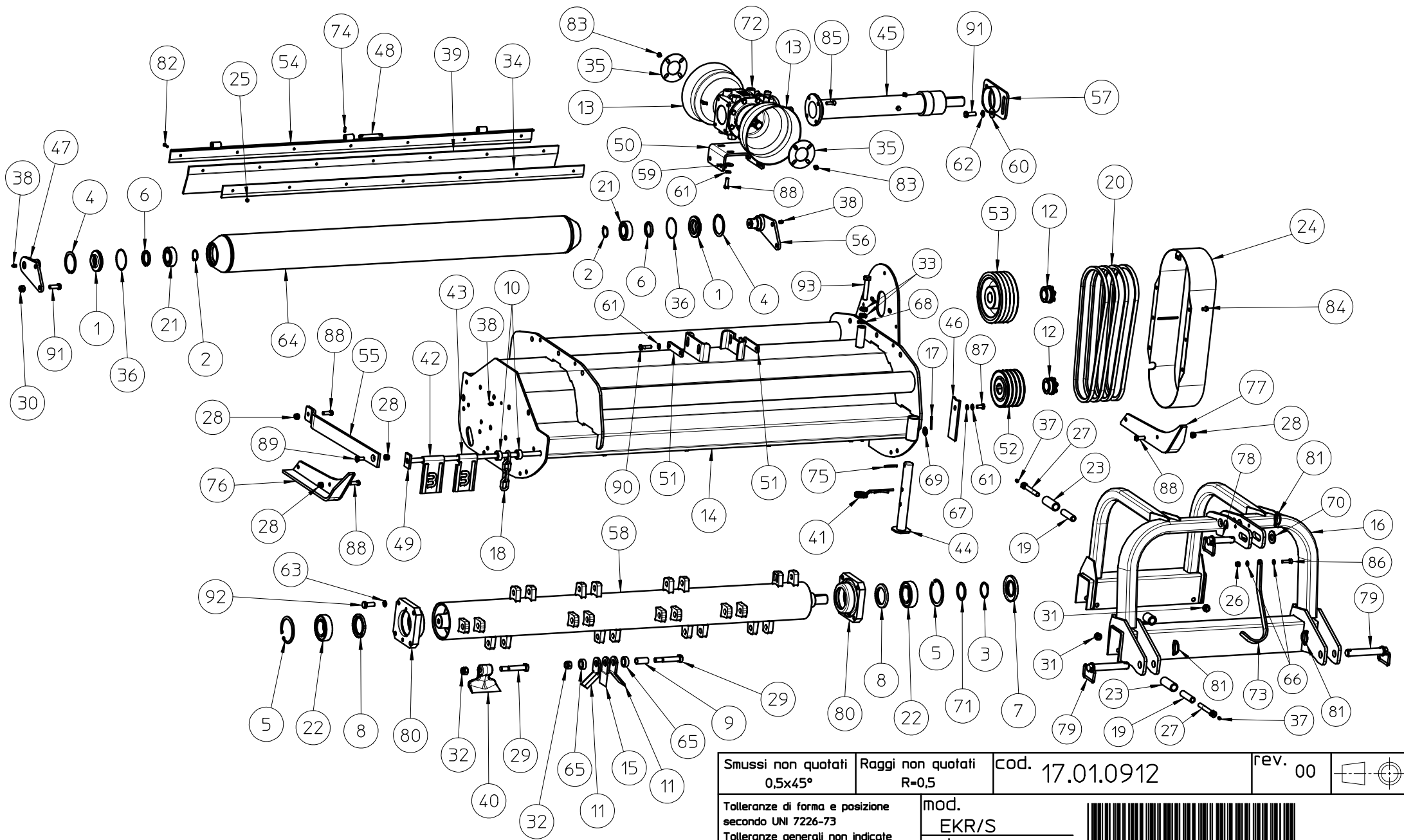




EKR-S

BERTI SPARE PARTS REFERENCE GUIDE





Smussi non quotati 0,5x45°	Raggi non quotati R=0,5	cod. 17.01.0912	rev. 00	
Tolleranze di forma e posizione secondo UNI 7226-73 Tolleranze generali non indicate foro H13-albero h13 lineari JS13 - angolari±30'		mod. EKR/S		
des. Esploso complessivo EKR/S rotore D.159		mat.	1 7 . 0 1 . 0 9 1 2	
 macchine agricole spa Caldiero (VR)		data 11/09/12	dis.da Diego	app.da

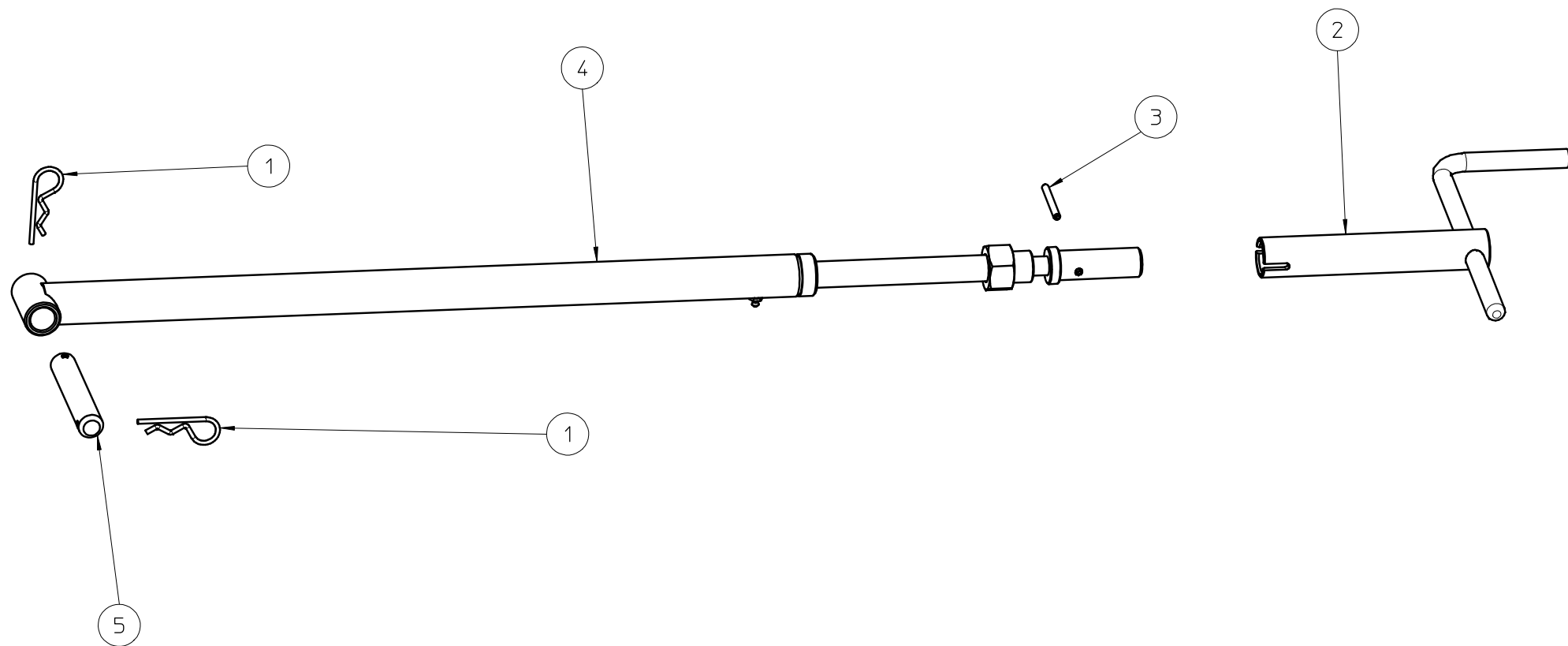
© Le informazioni contenute nel presente documento sono di proprietà della BERTI MACCHINE AGRICOLE SPA e non possono essere riprodotte o trasmesse a terzi in alcun modo senza esplicita approvazione scritta della BERTI MACCHINE AGRICOLE SPA o di un suo rappresentante debitamente autorizzato.

Pos.	Description	EKR/S 180	EKR/S 200	EKR/S 220	EKR/S 250
1	Protecting ring	AL159/4246	AL159/4246	AL159/4246	AL159/4246
2	Circlip E40	ASE040	ASE040	ASE040	ASE040
3	Circlip E60	ASE060	ASE060	ASE060	ASE060
4	Circlip I90	ASI090	ASI090	ASI090	ASI090
5	Circlip I110	ASI110	ASI110	ASI110	ASI110
6	Seal ring	AT04806208	AT04806208	AT04806208	AT04806208
7	Seal ring	AT06011012	AT06011012	AT06011012	AT06011012
8	Seal ring	AT07010010	AT07010010	AT07010010	AT07010010
9	Bushing for Y blades, "Serie 2008" rotor	BC/4048	BC/4048	BC/4048	BC/4048
10	Spacer for front chains protectors	BD/4833	BD/4833	BD/4833	BD/4833
11	Blade 50x8	C5008/1838	C5008/1838	C5008/1838	C5008/1838
12	Center lock D.40X65	CA4065	CA4065	CA4065	CA4065
13	PTO cone d. 28	CC005	CC005	CC005	CC005
14	Chassis	CC180/3100	CC200/3100	CC220/3101	CC250/3101
15	Straight blade 50x8	CD/2421	CD/2421	CD/2421	CD/2421
16	A-frame	CE/3084	CE/3084	CE/3084	CE/3084
17	Pin 5x40	CF005060	CF005060	CF005060	CF005060
18	Chain d.10	CGSZ01004	CGSZ01004	CGSZ01004	CGSZ01004
19	Cylinder, inferior	CI/3096	CI/3096	CI/3096	CI/3096
20	Belt	993.02	993.02	993.02	993.02
21	Bearing	003.05	003.05	003.05	003.05
22	Bearing	003.07	003.07	003.07	003.07
23	Cylinder, top	CS/3097	CS/3097	CS/3097	CS/3097
24	Cover	CT/0867	CT/0867	CT/0867	CT/0867
25	Nut M6	DE06AL6SPGZ	DE06AL6SPGZ	DE06AL6SPGZ	DE06AL6SPGZ
26	Nut M10 self locking	DE10AL6SPGZAB	DE10AL6SPGZAB	DE10AL6SPGZAB	DE10AL6SPGZAB
27	Screw for linkage	VT/3407	VT/3407	VT/3407	VT/3407
28	Nut M12 self locking	DE12AL6SPGZAB	DE12AL6SPGZAB	DE12AL6SPGZAB	DE12AL6SPGZAB
29	Screw	014.50	014.50	014.50	014.50

Pos.	Description	EKR/S 180	EKR/S 200	EKR/S 220	EKR/S 250
30	Nut M14 self locking	DE14AL6SPGZAB	DE14AL6SPGZAB	DE14AL6SPGZAB	DE14AL6SPGZAB
31	Nut M16 self locking	DE16AL6SPGZAB	DE16AL6SPGZAB	DE16AL6SPGZAB	DE16AL6SPGZAB
32	Nut M18 self locking	DE18AL6SPFZAB	DE18AL6SPFZAB	DE18AL6SPFZAB	DE18AL6SPFZAB
33	Nut M18	DE18BA6SPGN	DE18BA6SPGN	DE18BA6SPGN	DE18BA6SPGN
34	Fixing rubber plate	FG1760/5209	FG1960/5209	FG2160/5209	FG2460/5209
35	Flange	FRZ/1338	FRZ/1338	FRZ/1338	FRZ/1338
36	OR 4325 Seal	GOR4325	GOR4325	GOR4325	GOR4325
37	Grease nipple 8x1,25	IN08125DR	IN08125DR	IN08125DR	IN08125DR
38	Grease nipple	IN101XXDR	IN101XXDR	IN101XXDR	IN101XXDR
39	Rubber plate th.6 h130	LT06130L1800	LT06130L2000	LT06130L2200	LT06130L2500
40	Hammer type "A"	MA/3922	MA/3922	MA/3922	MA/3922
41	Tripping pin	MF070550205Z	MF070550205Z	MF070550205Z	MF070550205Z
42	Flap 99x160	PA04/2217	PA04/2217	PA04/2217	PA04/2217
43	Flap 99x160	PA04/2219	PA04/2219	PA04/2219	PA04/2219
44	Parking stand	PA38305	PA38305	PA38305	PA38305
45	Extension (complete)	PC0780	PC09650	PC1060	PC1060
46	Plate	PCF/5164	PCF/5164	PCF/5164	PCF/5164
47	Roller bracket (right)	PDX/4331	PDX/4331	PDX/4331	PDX/4331
48	Pin	PE0150110	PE0150110	PE0150110	PE0150110
49	Bar for flaps D. 18	PE0181830	PE0182030	PE0182230	PE0182530
50	Gearbox fixing plate	PF/0366	PF/0366	PF/0366	PF/0366
51	Gearbox keeping plate	PF07/2104	PF07/2104	PF07/2104	PF07/2104
52	Pulley D.150	PG150G4	PG150G4	PG150G4	PG150G4
53	Pulley D.212	PG212G4	PG212G4	PG212G4	PG212G4
54	Holder for rubber	PGC180/6096	PGC200/6096	PGC220/6096	PGC250/6096
55	Side protection	PL100600	PL100600	PL100600	PL100600
56	Roller bracket (left)	PSX/4331	PSX/4331	PSX/4331	PSX/4331
57	Belt-tightening plate	PT08/0010	PT08/0010	PT08/0010	PT08/0010

Pos.	Description	EKR/S 180	EKR/S 200	EKR/S 220	EKR/S 250
58	Rotor type "A" D.159	RBA159C180/4051	RBA159C200/4051	RBA159C220/4051	RBA159C250/4051
59	Washer 12,5x36	RF1236FN	RF1236FN	RF1236FN	RF1236FN
60	Washer 14,5x42	RF1442FN	RF1442FN	RF1442FN	RF1442FN
61	Grower washer d.12	RG12XXARN	RG12XXARN	RG12XXARN	RG12XXARN
62	Grower washer d.14	RG14XXARN	RG14XXARN	RG14XXARN	RG14XXARN
63	Grower washer d.16	RG16XXARN	RG16XXARN	RG16XXARN	RG16XXARN
64	Roller D.159	RL159180/4026	RL159200/4026	RL159220/4026	RL159250/4026
65	Washer	RO/4049	RO/4049	RO/4049	RO/4049
66	Washer D.10	RP10XXFZ	RP10XXFZ	RP10XXFZ	RP10XXFZ
67	Washer D.12	RP12XXFN	RP12XXFN	RP12XXFN	RP12XXFN
68	Washer D.18	RP18XXFN	RP18XXFN	RP18XXFN	RP18XXFN
69	Washer D.18	RP18XXFZ	RP18XXFZ	RP18XXFZ	RP18XXFZ
70	Washer D.26	RP26XXFZ	RP26XXFZ	RP26XXFZ	RP26XXFZ
71	Washer 60x75x3	RS060	RS060	RS060	RS060
72	Gearbox 311 with through shaft Gearbox 311 with through shaft + free wheel Gearbox 311 with through shaft + double free w.	S0311R13AP S0311R13APRL S0311R13AP2RL	S0311R13AP S0311R13APRL S0311R13AP2RL	S0311R13AP S0311R13APRL S0311R13AP2RL	S0311R13AP S0311R13APRL S0311R13AP2RL
73	Univ. joint support	SC/0352	SC/0352	SC/0352	SC/0352
74	Elastic pin d. 6X20	SE06020	SE06020	SE06020	SE06020
75	Elastic pin D.6x60	SE06060	SE06060	SE06060	SE06060
76	Skid (right)	SLDX/1492	SLDX/1492	SLDX/1492	SLDX/1492
77	Skid (left)	SLSX/1492	SLSX/1492	SLSX/1492	SLSX/1492
78	3rd point pin D.25	SP25095Z	SP25095Z	SP25095Z	SP25095Z
79	Inferior link pin D.28	SP28165Z	SP28165Z	SP28165Z	SP28165Z
80	∅ 159 rotor housing	SR159/0026	SR159/0026	SR159/0026	SR159/0026
81	Pin	SSX10Z	SSX10Z	SSX10Z	SSX10Z
82	Screw M6x25	V060252TF088Z	V060252TF088Z	V060252TF088Z	V060252TF088Z
83	Screw M8x12	V0801202TF109Z	V0801202TF109Z	V0801202TF109Z	V0801202TF109Z

Pos.	Description	EKR/S 180	EKR/S 200	EKR/S 220	EKR/S 250
84	Screw M10x16 10.9	V1001602TF109Z	V1001602TF109Z	V1001602TF109Z	V1001602TF109Z
85	Screw M10x30	V100301TF088N	V100301TF088N	V100301TF088N	V100301TF088N
86	Screw M10x35	V100351TF088Z	V100351TF088Z	V100351TF088Z	V100351TF088Z
87	Screw M12x25	V120252TF088N	V120252TF088N	V120252TF088N	V120252TF088N
88	Screw M12x35	V120352TF088N	V120352TF088N	V120352TF088N	V120352TF088N
89	Screw M12x35	V120353TF109N	V120353TF109N	V120353TF109N	V120353TF109N
90	Screw M12x45	V120452PF088N	V120452PF088N	V120452PF088N	V120452PF088N
91	Screw M14x40	V140402PF109N	V140402PF109N	V140402PF109N	V140402PF109N
92	Screw M16x40	V160402TF109N	V160402TF109N	V160402TF109N	V160402TF109N
93	Screw M18x90	V180902TF088N	V180902TF088N	V180902TF088N	V180902TF088N

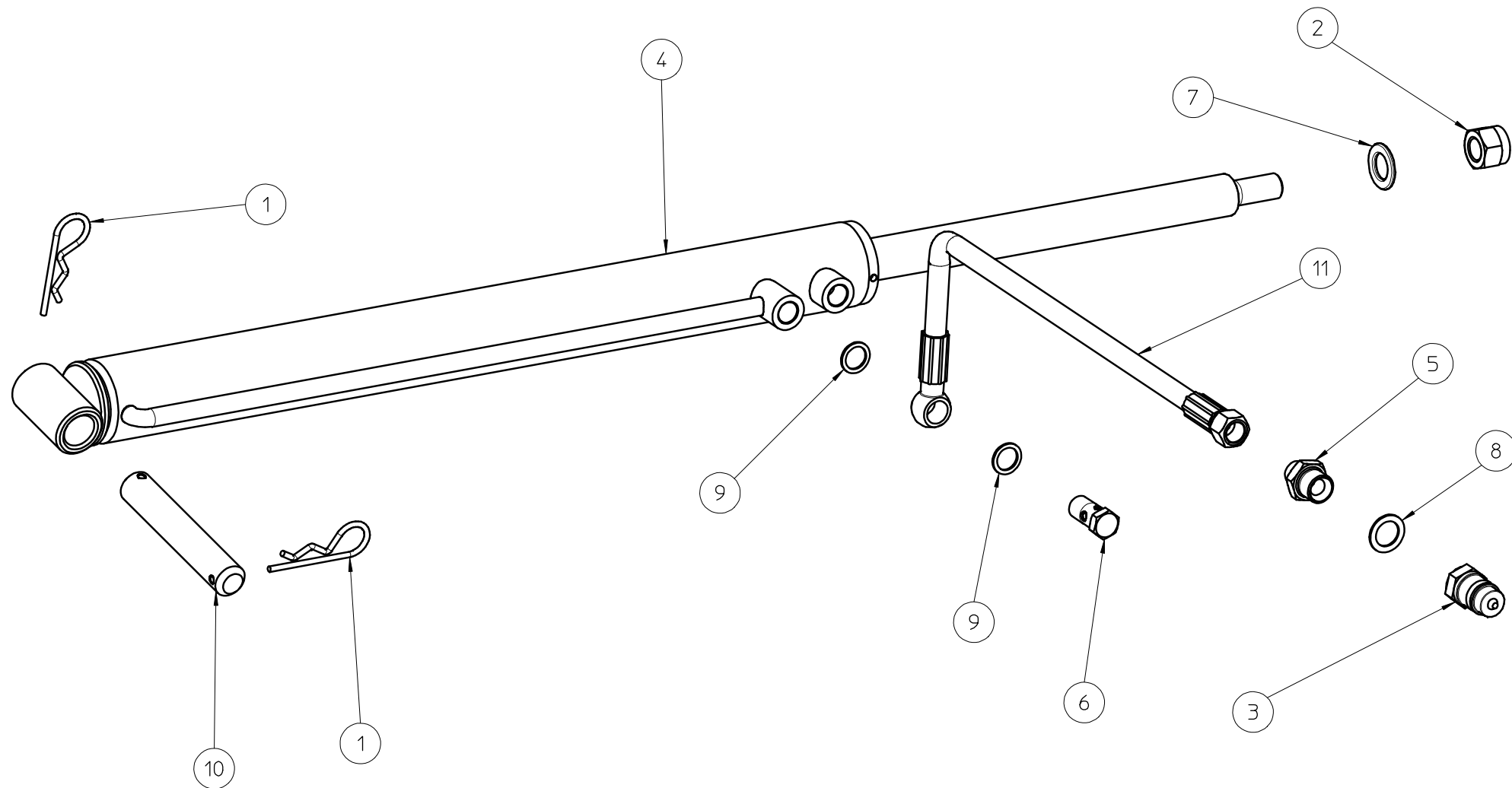


Smussi non quotati 0,5x45°	Raggi non quotati R=0,5	cod. 17.07.0912	rev. 00	
Tolleranze di forma e posizione secondo UNI 7226-73 Tolleranze generali non indicate foro H13-albero h13 lineari JS13 - angolari±30'	mod. EKR/S			
 macchine agricole spa Caldiero (VR)	mat.	des. Esploso spostamento meccanico EKR/S		
	data 13/09/12	dis.da Diego	app.da	

© Le informazioni contenute nel presente documento sono di proprietà della BERTI MACCHINE AGRICOLE SPA e non possono essere riprodotte o trasmesse a terzi in alcun modo senza esplicita approvazione scritta della BERTI MACCHINE AGRICOLE SPA o di un suo rappresentante debitamente autorizzato.

Mech. side shift EKR/S

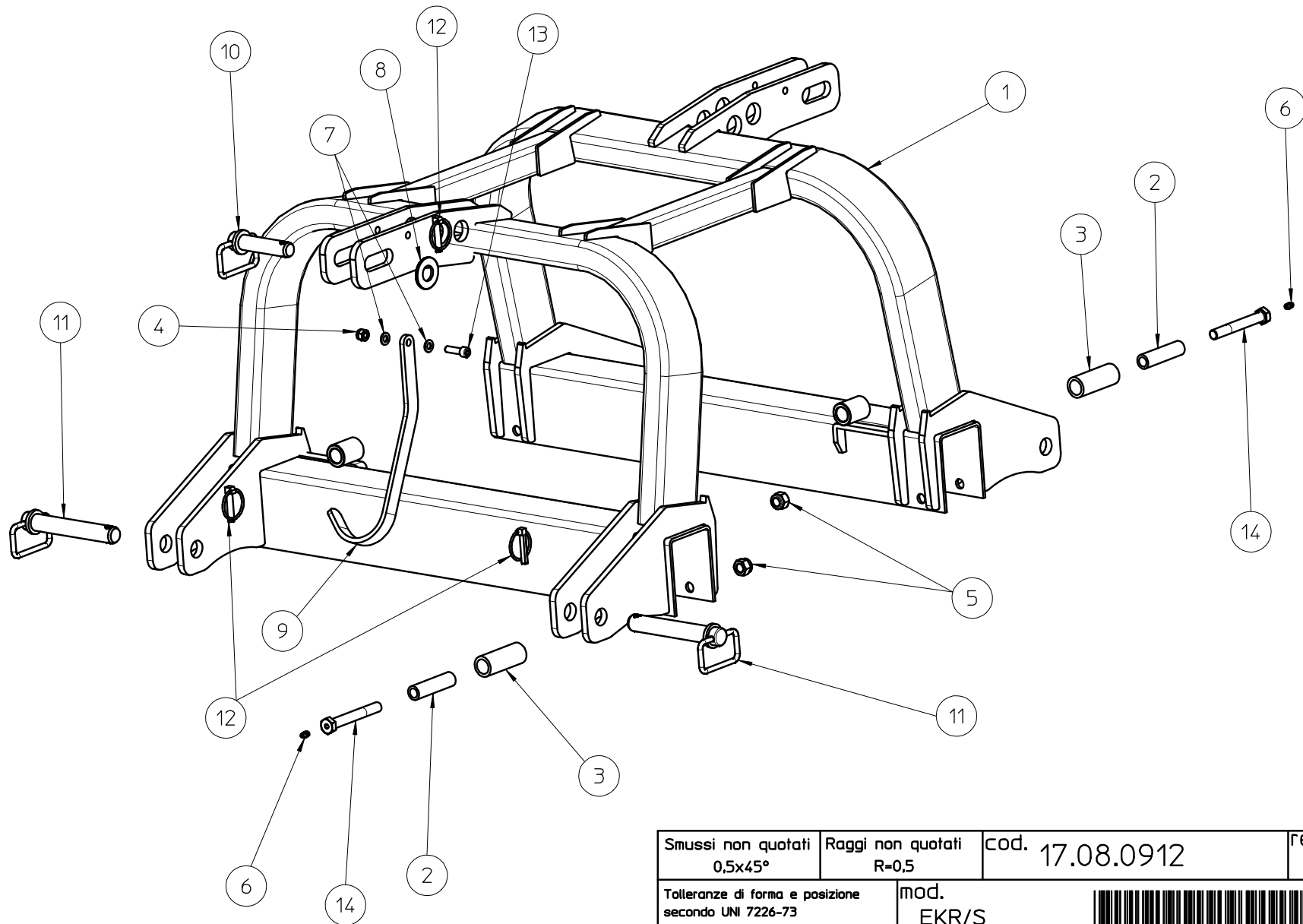
Pos.	Description	EKR/S
		180 - 200 - 220 - 250 - 270 - 285 - 300
1	Pin d. 4	CM04Z
2	Crank L.220	MSZ220/0259
3	Elastic pin D.6x60	SE06060
4	Mech. side shift	SM815/3893
5	Pin	SS/0430



Smussi non quotati 0,5x45°	Raggi non quotati R=0,5	cod. 17.12.0912	rev. 00	
Tolleranze di forma e posizione secondo UNI 7226-73 Tolleranze generali non indicate foro H13-albero h13 lineari JS13 - angolari±30'	mod. EKR/S			
 macchine agricole spa Caldiero (VR)	mat.	des. Esploso circuito oleodinamico EKR/S		
	data 13/09/12	dis.da Diego	app.da	
<small>© Le informazioni contenute nel presente documento sono di proprietà della BERTI MACCHINE AGRICOLE SPA e non possono essere riprodotte o trasmesse a terzi in alcun modo senza esplicita approvazione scritta della BERTI MACCHINE AGRICOLE SPA o di un suo rappresentante debitamente autorizzato.</small>				

Hydr. side shift EKR/S

Pos.	Description	EKR/S
		180 – 200 – 220 – 250 – 270 – 285 – 300
1	Pin d. 4	CM04Z
2	Nut M18 self locking	DE18AL6SPGZAB
3	Male quick coupling	IR12MS
4	Side shift L.815	MI5028L815
5	Nipple 3/8" - 1/2"	NR1238
6	Drilled connector 3/8" gas	RF38
7	Washer D.18	RP18XXFZ
8	Washer 1/2"	RR12
9	Washer 3/8"	RR38
10	Shifting fixing pin	SS/0430
11	Hose L.1600	T14L1600GA/6029



Smussi non quotati 0,5x45°	Raggi non quotati R=0,5	cod. 17.08.0912	rev. 00	
Tolleranze di forma e posizione secondo UNI 7226-73 Tolleranze generali non indicate foro H13-albero h13 lineari JS13 - angolari±30'	mod. EKR/S			
 macchine agricole spa Caldiero (VR)	mat.			
	des. Esploso doppio timone EKR/S	data 13/09/12	dis.da Diego	app.da
<small>© Le informazioni contenute nel presente documento sono di proprietà della BERTI MACCHINE AGRICOLE SPA e non possono essere riprodotte o trasmesse a terzi in alcun modo senza esplicita approvazione scritta della BERTI MACCHINE AGRICOLE SPA o di un suo rappresentante debitamente autorizzato.</small>				

Double linkage EKR/S

Pos.	Description	EKR/S
		180 – 200 – 220 – 250 – 270 – 285 – 300
1	Double linkage	CD/4772
2	Cylinder, inferior)	CI/3096
3	Cylinder, top	CS/3097
4	Nut M10 self locking	DE10AL6SPGZAB
5	Nut M16 self locking	DE16AL6SPGZAB
6	Grease nipple 8x1,25	IN08125DR
7	Washer D.10	RP10XXFZ
8	Washer D.26	RP26XXFZ
9	Univ. joint support	SC/0352
10	3rd point pin D.25	SP25095Z
11	Pin 28X165	SP28165Z
12	Pin	SSX10Z
13	Screw M10x35	V100351TF088Z
14	Screw	VT/3407