



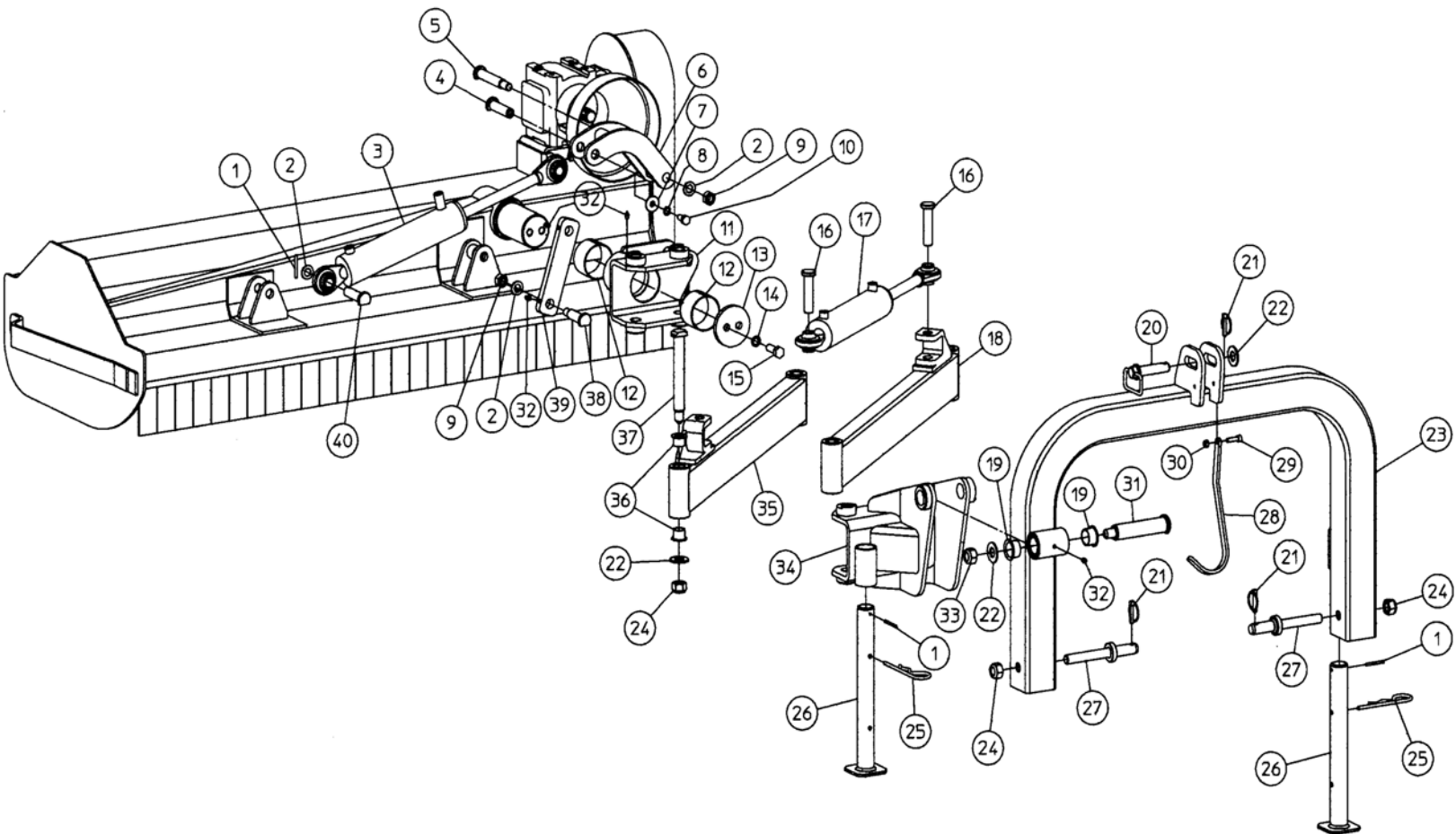
TA

BERTI SPARE PARTS REFERENCE GUIDE

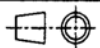
---



**Mod. TA 145-250, 3P Linkage + Antishock 2002**



codice 24.110



## Parts List: Mod. TA, Linkage Assembly

fig. 24.118

BERTI MACCHINE AGRICOLE srl

Pos.	ITEM	TA 140	TA 160	TA 180	TA 200	TA 220	TA 250
1	ELASTIC PIN 6X60	SE06060	SE06060	SE06060	SE06060	SE06060	SE06060
2	WASHER Ø20	RP20XXFN	RP20XXFN	RP20XXFN	RP20XXFN	RP20XXFN	RP20XXFN
3	CYLINDER, tilt	MS/254	MS/254	MS/254	MS/254	MS/254	MS/255
4	PIN	SL/1049	SL/1049	SL/1049	SL/1049	SL/1049	SL/1049
5	PIN	SL/1048	SL/1048	SL/1048	SL/1048	SL/1048	SL/1048
6	LEVER	LS/1135	LS/1135	LS/1135	LS/1135	LS/1135	LS/1135
7	WASHER Ø14x42	RF1442FN	RF1442FN	RF1442FN	RF1442FN	RF1442FN	RF1442FN
8	GROWER WASHER Ø14	RG14XXARN	RG14XXARN	RG14XXARN	RG14XXARN	RG14XXARN	RG14XXARN
9	NUT M20X1,5 self-locking	DE20AL20015	DE20AL20015	DE20AL20015	DE20AL20015	DE20AL20015	DE20AL20015
10	BOLT	V140302TF088N	V140302TF088N	V140302TF088N	V140302TF088N	V140302TF088N	V140302TF088N
11	JOINT	SN/1180	SN/1180	SN/1180	SN/1180	SN/1180	SN/1180
12	CYLINDR. BUSHING	BAC090060	BAC090060	BAC090060	BAC090060	BAC090060	BAC090060
13	WASHER	RS/1017	RS/1017	RS/1017	RS/1017	RS/1017	RS/1017
14	GROWER WASHER Ø18	RG18XXARN	RG18XXARN	RG18XXARN	RG18XXARN	RG18XXARN	RG18XXARN
15	BOLT	V180502TF088N	V180502TF088N	V180502TF088N	V180502TF088N	V180502TF088N	V180502TF088N
16	PIN	SL/2433	SL/2433	SL/2433	SL/2433	SL/2433	SL/2433
17	CYLINDER, side shift	MS/258	MS/258	MS/258	MS/258	MS/258	MS/258
18	LH ARM	BPS/1060	BPS/1060	BPS/1060	BPS/1060	BPS/1060	BPS/1060
19	BUSHING Ø40, flange	BAF040025	BAF040025	BAF040025	BAF040025	BAF040025	BAF040025
20	TOP LINK PIN	SP25095Z	SP25095Z	SP25095Z	SP25095Z	SP25095Z	SP25095Z
21	TRIPPING PIN	SSX10Z	SSX10Z	SSX10Z	SSX10Z	SSX10Z	SSX10Z
22	WASHER Ø26, galvanized	RP26XXFZ	RP26XXFZ	RP26XXFZ	RP26XXFZ	RP26XXFZ	RP26XXFZ
23	A-FRAME	TC/2012	TC/2012	TC/2012	TC/2012	TC/2012	TC/2012
24	NUT M24X2, self-locking	DE24BA6SPFZAB	DE24BA6SPFZAB	DE24BA6SPFZAB	DE24BA6SPFZAB	DE24BA6SPFZAB	DE24BA6SPFZAB
25	SPRING	MF070550205Z	MF070550205Z	MF070550205Z	MF070550205Z	MF070550205Z	MF070550205Z
26	PARKING STAND	PA48560	PA48560	PA48560	PA48560	PA48560	PA48560
27	PIN	SP28/0994	SP28/0994	SP28/0994	SP28/0994	SP28/0994	SP28/0994
28	UNIV. JOINT SUPPORT	SC/0352	SC/0352	SC/0352	SC/0352	SC/0352	SC/0352
29	BOLT TCEI M10x35, galvanized	V100351TF088Z	V100351TF088Z	V100351TF088Z	V100351TF088Z	V100351TF088Z	V100351TF088Z
30	NUT M10, self-locking	DE10AL6SPGZAB	DE10AL6SPGZAB	DE10AL6SPGZAB	DE10AL6SPGZAB	DE10AL6SPGZAB	DE10AL6SPGZAB
31	PIN	PS/1926	PS/1926	PS/1926	PS/1926	PS/1926	PS/1926
32	GREASE NIPPLE M10x1	IN101XXDR	IN101XXDR	IN101XXDR	IN101XXDR	IN101XXDR	IN101XXDR
33	NUT M24X2 self-locking	DE24AL6SPFZAB	DE24AL6SPFZAB	DE24AL6SPFZAB	DE24AL6SPFZAB	DE24AL6SPFZAB	DE24AL6SPFZAB
34	JOINT-BRACKET	SNT/2013	SNT/2013	SNT/2013	SNT/2013	SNT/2013	SNT/2013
35	RH ARM	BPD/1060	BPD/1060	BPD/1060	BPD/1060	BPD/1060	BPD/1060
36	BUSHING Ø30, flange	BAF030025	BAF030025	BAF030025	BAF030025	BAF030025	BAF030025
37	PIN	SP/2081	SP/2081	SP/2081	SP/2081	SP/2081	SP/2081
38	PIN	SL/1632	SL/1632	SL/1632	SL/1632	SL/1632	SL/1632
39	LEVER	LD/1014	LD/1014	LD/1014	LD/1014	LD/1014	LD/1014
40	PIN	SL/1896	SL/1896	SL/1896	SL/1896	SL/1896	SL/1896
	PTO DRIVE SHAFT	ACPT60L1750CES	ACPT60L1750CES	ACPT60L1750CES	ACPT60L1750CES	ACPT60L1750CES	ACPT60L1750CES
	DOUBLE CV PTO DRIVE SHAFT	ACPT60L1750OOS	ACPT60L1750OOS	ACPT60L1750OOS	ACPT60L1750OOS	ACPT60L1750OOS	ACPT60L1750OOS