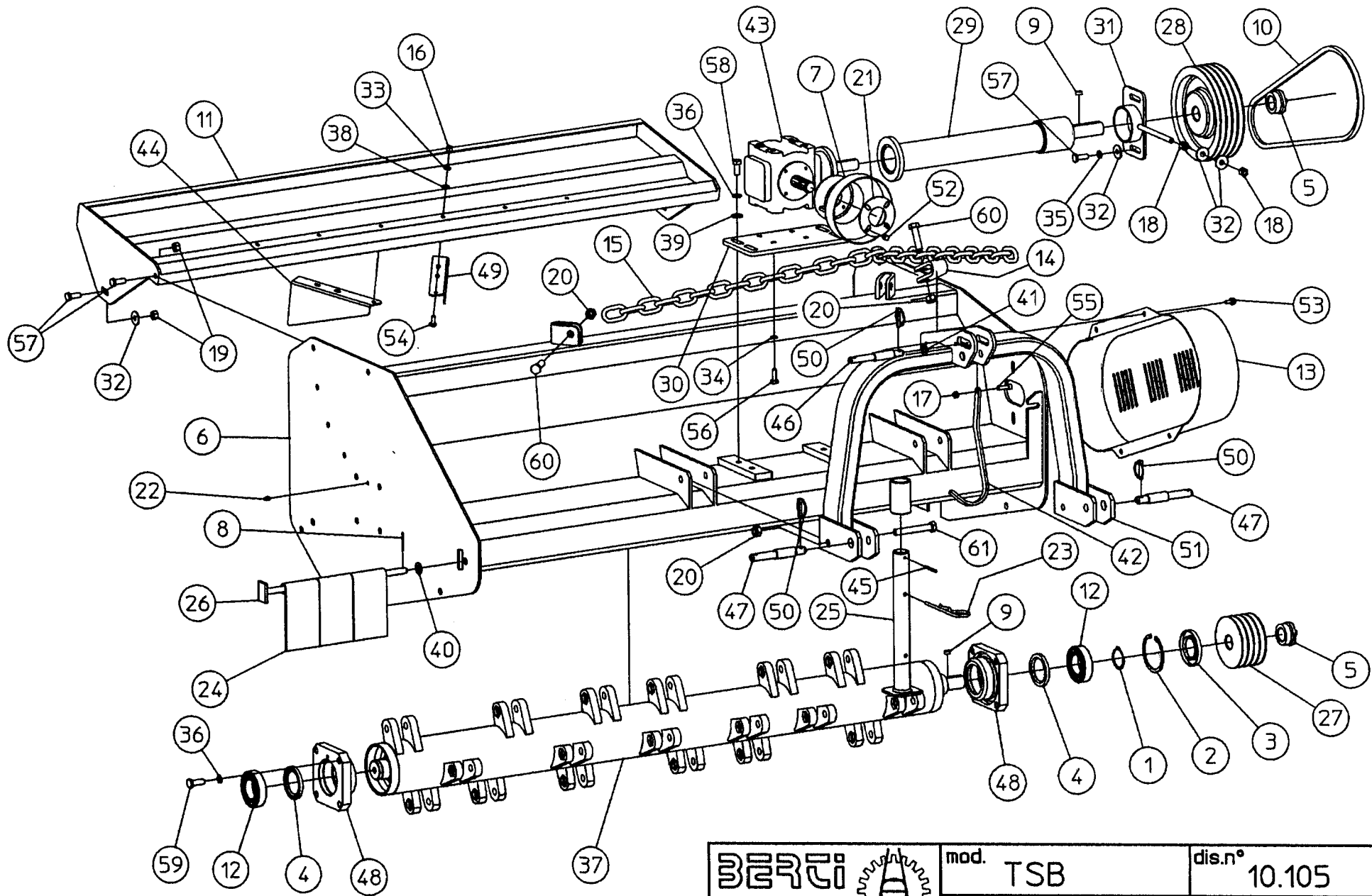





TSB

BERTI SPARE PARTS REFERENCE GUIDE





 BERCI macchine agricole srl Caldiero (VR)	mod. TSB	dis.n° 10.105
	mat.	tratt. 10.105
den. Esploso		
data 24/05/01	dis. MATTUZZI	codice 10.105



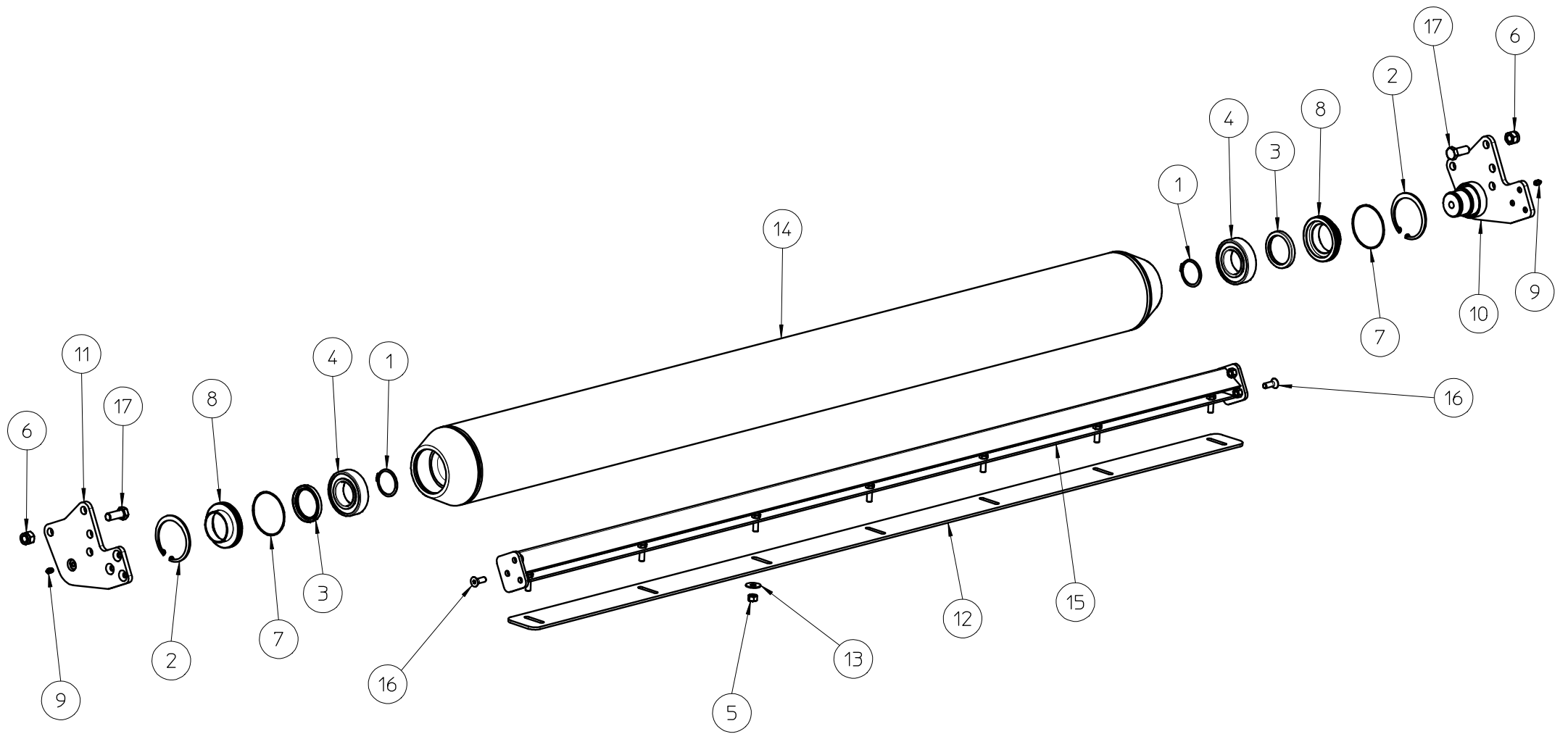
Exploded codes:

Mod. TSB 250-300

fig. 10.105

BERTI MACCHINE AGRICOLE srl

Pos.	ITEM	TSB 250	TSB 270	TSB 285	TSB 300			
1	SEEGER RING	ASE060	ASE060	ASE060	ASE060			
2	SEEGER RING	ASI110	ASI110	ASI110	ASI110			
3	SEAL RING	AT06011012	AT06011012	AT06011012	AT06011012			
4	SEAL RING	AT07010010	AT07010010	AT07010010	AT07010010			
5	CENTRE LOCK	CA4065	CA4065	CA4065	CA4065			
6	MAIN CHASSIS	CC250/1375	CC270/1375	CC285/1375	CC300/1375			
7	PTO CONE	CC005	CC005	CC005	CC005			
8	SPLIT PIN	CF005060	CF005060	CF005060	CF005060			
9	KEY 12x8x20	CH1208020	CH1208020	CH1208020	CH1208020			
10**	BELT, 540 PTO	Refer Farmgard	Refer Farmgard	Refer Farmgard	Refer Farmgard			
11	TAILGATE	CO250/1375	CO250/1375	CO180/1375	CO200/1375			
12	BEARING	003.07	003.07	003.07	003.07			
13	PULLEYS COVER	CT/2054	CT/2054	CT/2054	CT/2054			
14	U PLATE	CT/0644	CT/0644	CT/0644	CT/0644			
15	CHAIN	CUZ012033	CUZ012033	CUZ012033	CUZ012033			
16	NUT M10	DE10AL6SPGZ	DE10AL6SPGZ	DE10AL6SPGZ	DE10AL6SPGZ			
17	SELF-LOCKING NUT M10	DE10AL6SPGZAB	DE10AL6SPGZAB	DE10AL6SPGZAB	DE10AL6SPGZAB			
18	NUT M14	DE14AL6SPGN	DE14AL6SPGN	DE14AL6SPGN	DE14AL6SPGN			
19	SELF-LOCKING NUT M14	DE14AL6SPGZAB	DE14AL6SPGZAB	DE14AL6SPGZAB	DE14AL6SPGZAB			
20	SELF-LOCKING NUT M18	DE18AL6SPGZAB	DE18AL6SPGZAB	DE18AL6SPGZAB	DE18AL6SPGZAB			
21	REINFORCING FLANGE	FR/1338	FR/1338	FR/1338	FR/1338			
22	GREASER M10x1	IN101XXDR	IN101XXDR	IN101XXDR	IN101XXDR			
23	FOOT SPRING	MF070550205Z	MF070550205Z	MF070550205Z	MF070550205Z			
24	FLAP	PA05/1342	PA05/1342	PA05/1342	PA05/1342			
25	PARKING STAND	PA48440	PA48440	PA48440	PA48440			
26	FLAPS BAR	PE0182530	PE0182730	PE0182880	PE0183030			
27**	PULLEY, 540 PTO	PG225G4	-	-	-			
	PULLEY, 540 PTO	-	PG225G5	PG225G5	PG225G5			
28**	PULLEY, 540 PTO	PG265G4	-	-	-			
	PULLEY, 540 PTO	-	PG265G5	PG265G5	PG265G5			
29	EXTENSION	*	*	*	*			
30	GEARBOX SUPPORT	*	*	*	*			
31	BELT-TIGHTENING DEVICE	PT08/0650	*	*	*			
32	WASHER Ø14x42	RF1442FN	RF1442FN	RF1442FN	RF1442FN			
33	GROVER WASHER Ø10 ZINC.	RG10XXARZ	RG10XXARZ	RG10XXARZ	RG10XXARZ			
34	GROVER WASHER Ø12	RG12XXARN	RG12XXARN	RG12XXARN	RG12XXARN			
35	GROVER WASHER Ø14	RG14XXARN	RG14XXARN	RG14XXARN	RG14XXARN			
36	GROVER WASHER Ø16	RG16XXARN	RG16XXARN	RG16XXARN	RG16XXARN			
37	ROTOR	RC203250/1792	RC203270/1793	RC203285/1794	RC203300/1795			
38	WASHER Ø10 GALV.	RP10XXFZ	RP10XXFZ	RP10XXFZ	RP10XXFZ			
39	WASHER Ø16	RP16XXFN	RP16XXFN	RP16XXFN	RP16XXFN			
40	WASHER Ø18	RP18XXFN	RP18XXFN	RP18XXFN	RP18XXFN			
41	WASHER Ø18 GALV.	RP18XXFZ	RP18XXFZ	RP18XXFZ	RP18XXFZ			

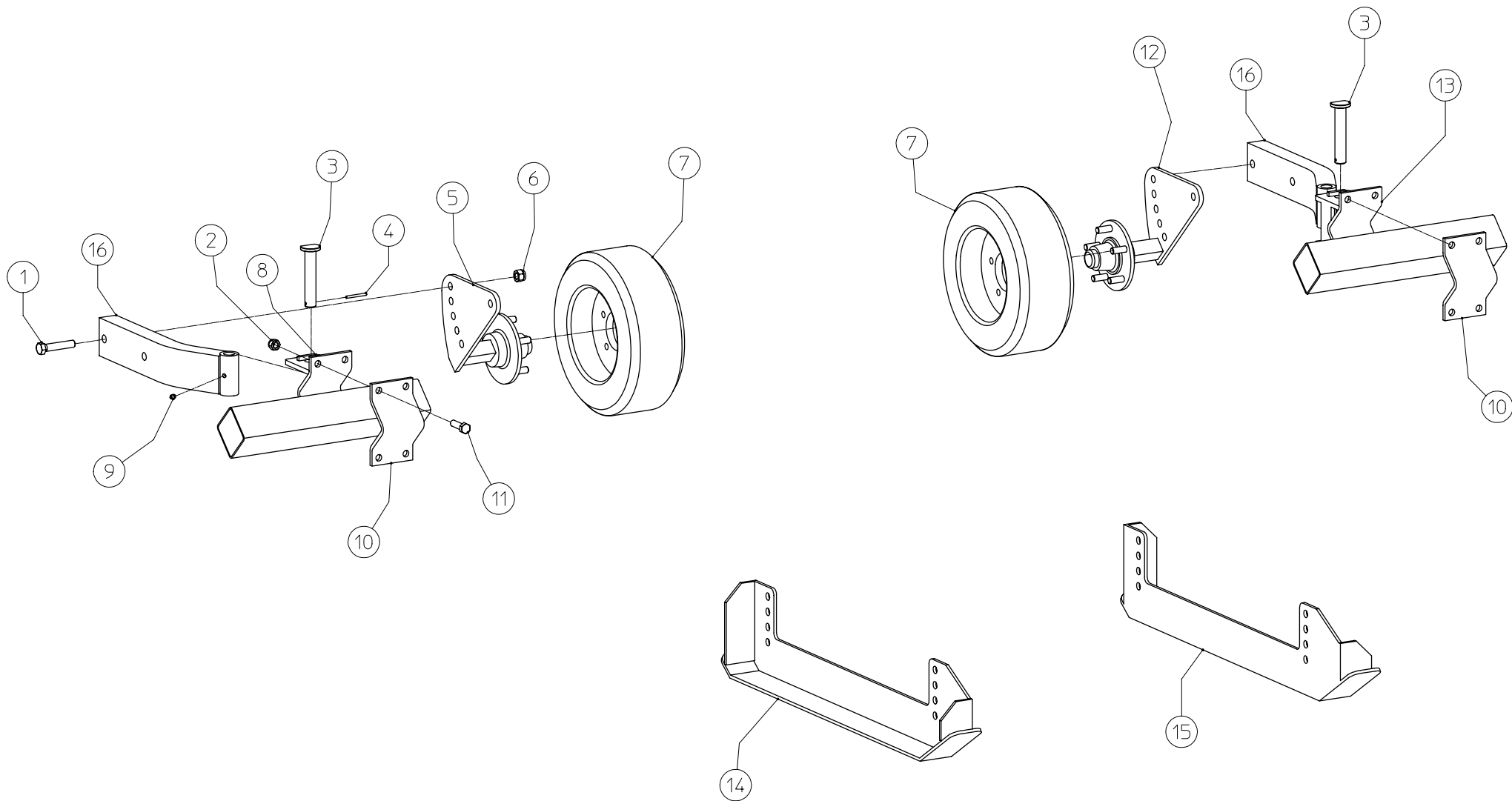



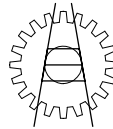
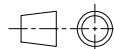
Smussi non quotati 0,5x45°	Raggi non quotati R=0,5	cod. 10.05.0212	rev. 00	
Tolleranze di forma e posizione secondo UNI 7226-73 Tolleranze generali non indicate foro H13-albero h13 lineari JS13 - angolari±30'		mod. TSB		
 macchine agricole spa Caldiero (VR)		des. Esploso rullo D.194 TSB		
		data 16/02/12	dis.da Diego	app.da

© Le informazioni contenute nel presente documento sono di proprietà della BERTI MACCHINE AGRICOLE SPA e non possono essere riprodotte o trasmesse a terzi in alcun modo senza esplicita approvazione scritta della BERTI MACCHINE AGRICOLE SPA o di un suo rappresentante debitamente autorizzato.

Pos.	Descrizione	TSB 160	TSB 180	TSB 200	TSB 220	TSB 230
1	Anello seeger esterno 60 DIN 741	ASE060	ASE060	ASE060	ASE060	ASE060
2	Anello seeger interno 110 DIN 472	ASI110	ASI110	ASI110	ASI110	ASI110
3	Anello tenuta	AT07009010	AT07009010	AT07009010	AT07009010	AT07009010
4	Cuscinetto orientabile a sfera	003.03	003.03	003.03	003.03	003.03
5	Dado es. 12 alto UNI 5587 6S pg nero	DE12AL6SPGN	DE12AL6SPGN	DE12AL6SPGN	DE12AL6SPGN	DE12AL6SPGN
6	Dado es. 18 alto 7473 6S pg Zn autobl.	DE18AL6SPGZAB	DE18AL6SPGZAB	DE18AL6SPGZAB	DE18AL6SPGZAB	DE18AL6SPGZAB
7	Guarnizione OR 4400	GOR4400	GOR4400	GOR4400	GOR4400	GOR4400
8	Gabbia paraolio con OR	GP193/4489	GP193/4489	GP193/4489	GP193/4489	GP193/4489
9	Ingrassatore dritto	IN101XXDR	IN101XXDR	IN101XXDR	IN101XXDR	IN101XXDR
10	Piastra dx rullo	PR193DX/2751	PR193DX/2751	PR193DX/2751	PR193DX/2751	PR193DX/2751
11	Piastra sx rullo	PR193SX/2751	PR193SX/2751	PR193SX/2751	PR193SX/2751	PR193SX/2751
12	Raschia fango sp. 6	RF061580	RF061780	RF061980	RF062180	RF062180
13	Rondella gremb. 12,5x36 U.6593 fe nera	RF1236FN	RF1236FN	RF1236FN	RF1236FN	RF1236FN
14	Rullo livellatore D.194 sp. 6	RL193160	RL193180	RL193200	RL193220	RL193230T
15	Sostegno raschiatore	SRTBM160	SRTBM180	SRTBM200	SRTBM220	SRTBM220
16	Vite tspei 12x35 5933 10.9 nera	V120353TF109N	V120353TF109N	V120353TF109N	V120353TF109N	V120353TF109N
17	Vite te 18x45 5739 8.8 nera	V180452TF088N	V180452TF088N	V180452TF088N	V180452TF088N	V180452TF088N

Pos.	Descrizione	TSB 250	TSB 270	TSB 285	TSB 300
1	Anello seeger esterno 60 DIN 741	ASE060	ASE060	ASE060	ASE060
2	Anello seeger interno 110 DIN 472	ASI110	ASI110	ASI110	ASI110
3	Anello tenuta	AT07009010	AT07009010	AT07009010	AT07009010
4	Cuscinetto orientabile a sfera	003.03	003.03	003.03	003.03
5	Dado es. 12 alto UNI 5587 6S pg nero	DE12AL6SPGN	DE12AL6SPGN	DE12AL6SPGN	DE12AL6SPGN
6	Dado es. 18 alto 7473 6S pg Zn autobl.	DE18AL6SPGZAB	DE18AL6SPGZAB	DE18AL6SPGZAB	DE18AL6SPGZAB
7	Guarnizione OR 4400	GOR4400	GOR4400	GOR4400	GOR4400
8	Gabbia paraolio con OR	GP193/4489	GP193/4489	GP193/4489	GP193/4489
9	Ingrassatore dritto	IN101XXDR	IN101XXDR	IN101XXDR	IN101XXDR
10	Piastra dx rullo	PR193DX/2751	PR193DX/2751	PR193DX/2751	PR193DX/2751
11	Piastra sx rullo	PR193SX/2751	PR193SX/2751	PR193SX/2751	PR193SX/2751
12	Raschia fango sp. 6	RF062480	RF062680	RF062830	RF062980
13	Rondella gremb. 12,5x36 U.6593 fe nera	RF1236FN	RF1236FN	RF1236FN	RF1236FN
14	Rullo livellatore D.194 sp. 6	RL193250	RL193270	RL193285	RL193300
15	Sostegno raschiatore	SRTBM250	SRTBM270	SRTBM285	SRTBM300
16	Vite tspei 12x35 5933 10.9 nera	V120353TF109N	V120353TF109N	V120353TF109N	V120353TF109N
17	Vite te 18x45 5739 8.8 nera	V180452TF088N	V180452TF088N	V180452TF088N	V180452TF088N



 macchine agricole srl Caldiero (VR)		mod. TSB	dis.n° 10.115
		mat.	tratt.
den. Esploso ruote e slitte opzionali TSB			
data 18/10/2005	dis. ANDREA	codice 10.115	

© Le informazioni contenute nel presente documento sono di proprietà della BERTI MACCHINE AGRICOLE SRL e non possono essere riprodotte o trasmesse a terzi in alcun modo senza esplicita approvazione scritta della BERTI MACCHINE AGRICOLE SRL o di un suo rappresentante debitamente autorizzato.

