

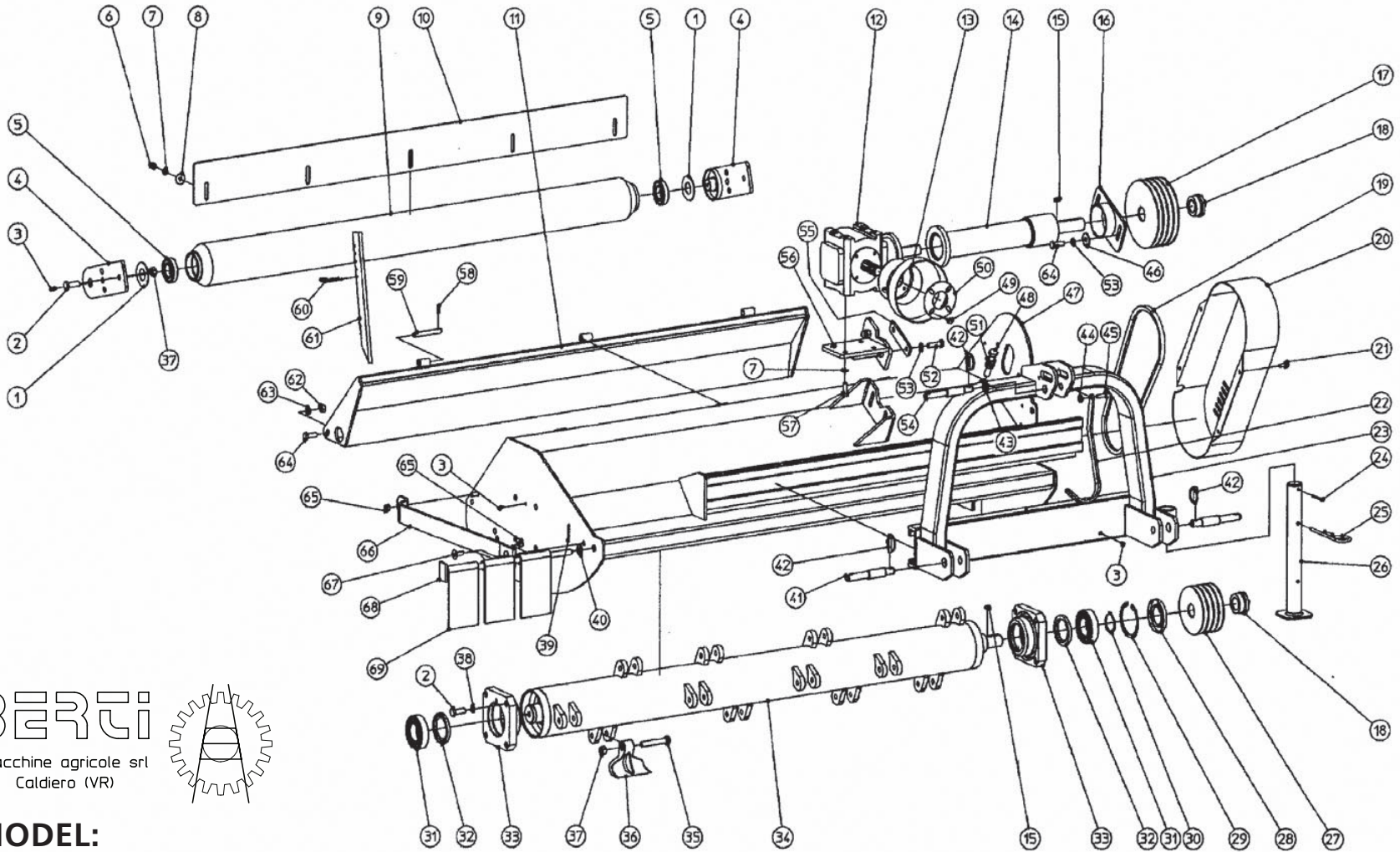


# TFB-Y

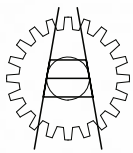
BERTI SPARE PARTS REFERENCE GUIDE

---





**BERTI**  
 macchine agricole srl  
 Caldiero (VR)

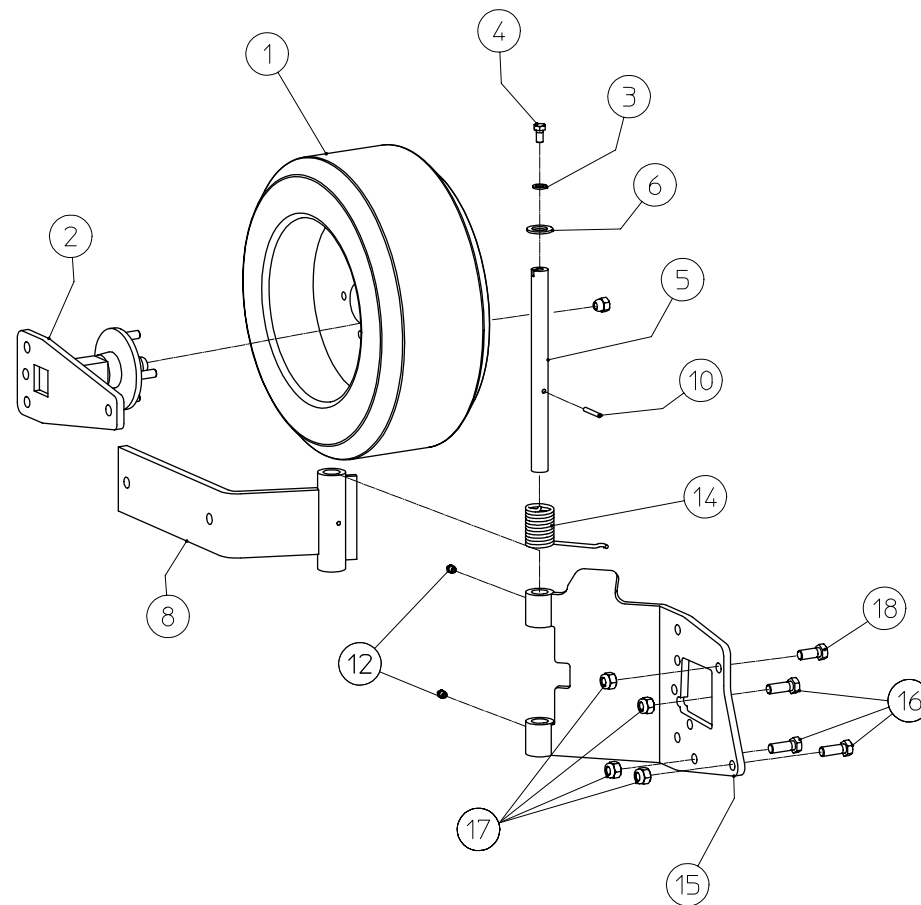
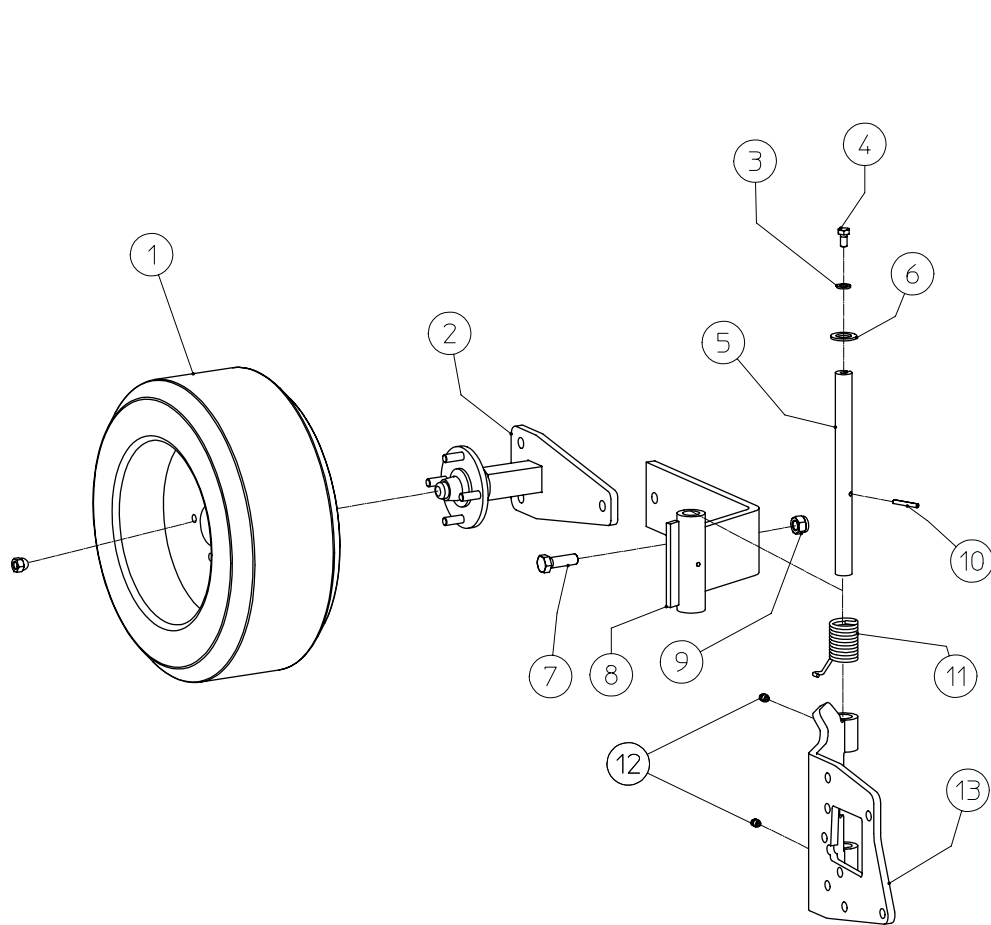


**MODEL:**  
**TFB-Y**

POS NO	DESCRIPTION	TFB-Y 120	TFB-Y 140	TFB-Y 160	TFB-Y 180	TFB-Y 200	TFB-Y 220	TFB-Y 250
1	PROTECTION RING	RP408001	RP408001	RP408001	RP408001	RP408001	RP408001	RP408001
2	SCREW	V160452TF088N	V160452TF088N	V160452TF088N	V160452TF088N	V160452TF088N	V160452TF088N	V160452TF088N
3	GREASE NIPPLE	IN101XXDR	IN101XXDR	IN101XXDR	IN101XXDR	IN101XXDR	IN101XXDR	IN101XXDR
4	ROLLER BRACKET TO 2008	PR/2204	PR/2204	PR/2204	PR/2204	PR/2204	PR/2204	PR/2204
5	BEARING	003.12	003.12	003.12	003.12	003.12	003.12	003.12
6	NUT	DE12AL6SPGN	DE12AL6SPGN	DE12AL6SPGN	DE12AL6SPGN	DE12AL6SPGN	DE12AL6SPGN	DE12AL6SPGN
7	WASHER	RG12XXARN	RG12XXARN	RG12XXARN	RG12XXARN	RG12XXARN	RG12XXARN	RG12XXARN
	WASHER	RG16XXARN	RG16XXARN	RG16XXARN	RG16XXARN	RG16XXARN	RG16XXARN	RG16XXARN
8	WASHER	RF1236FN	RF1236FN	RF1236FN	RF1236FN	RF1236FN	RF1236FN	RF1236FN
9	LEVELLING ROLLER to 2008	RL120/2225	RL140/2225	RL160/2225	RL180/2225	RL200/2225	RL220/2225	RL250/2225
10	SCRAPER	RF061180	RF061380	RF061580	RF061780	RF061980	RF062180	RF062480
11	HOOD	CO120/1311	CO140/1311	CO160/1311	CO180/1311	CO200/1311	CO220/1311	CO250/1311
12	GEARBOX	*	*	*	*	*	*	*
13	PTO CONE	CC004	CC004	CC004	CC004	CC004	CC004	CC004
14	EXTENSION SHAFT	*	*	*	*	*	*	*
15	KEY	CH1208020	CH1208020	CH1208020	CH1208020	CH1208020	CH1208020	CH1208020
16	BELTS ADJUSTER	PT08/0010	PT08/0010	PT08/0010	PT08/0010	PT08/0010	PT08/0010	PT08/0010
17	TOP PULLEY	PG212G3	PG212G3	PG212G4	PG212G4	PG212G4	PG212G4	PG212G5
18	CENTRE LOCK	CA4065	CA4065	CA4065	CA4065	CA4065	CA4065	CA4065
19	BELT	993.02	993.02	993.02	993.02	993.02	993.02	993.02
20	COVER	CT/0867	CT/0867	CT/0867	CT/0867	CT/0867	CT/0867	CT/0867
20	OLD COVER TEARDROP	CT-0107	CT-0107	CT-0107	CT-0107	CT-0107	CT-0107	CT-0107
21	FLANGED KEY	V1016FZ	V1016FZ	V1016FZ	V1016FZ	V1016FZ	V1016FZ	V1016FZ
22	UNIV. JOINT SUPPORT	SC/0352	SC/0352	SC/0352	SC/0352	SC/0352	SC/0352	SC/0352
23	THREE POINT LINKAGE	TC0680/0463	TC0830/0061	TC0830/0061	TC0830/0061	TC0830/0061	TC0830/0061	TC0830/0061
24	ELASTIC PIN	SE06060	SE06060	SE06060	SE06060	SE06060	SE06060	SE06060
26	PIN	MF070550205Z	MF070550205Z	MF070550205Z	MF070550205Z	MF070550205Z	MF070550205Z	MF070550205Z
27	PARKING STAND	PA48440	PA48440	PA48440	PA48440	PA48440	PA48440	PA48440
28	LOWER PULLEY	PG150G3	PG150G3	PG150G4	PG150G4	PG150G4	PG150G4	PG150G5
29	SEAL RING	AT06011012	AT06011012	AT06011012	AT06011012	AT06011012	AT06011012	AT06011012

POS NO	DESCRIPTION	TFB-Y 120	TFB-Y 140	TFB-Y 160	TFB-Y 180	TFB-Y 200	TFB-Y 220	TFB-Y 250
30	CIRCLIP	ASI110	ASI110	ASI110	ASI110	ASI110	ASI110	ASI110
31	CIRCLIP	ASE060	ASE060	ASE060	ASE060	ASE060	ASE060	ASE060
32	BEARING	003.07	003.07	003.07	003.07	003.07	003.07	003.07
33	SEAL RING	AT07010010	AT07010010	AT07010010	AT07010010	AT07010010	AT07010010	AT07010010
34	ROTOR HOUSING	SR159/0026	SR159/0026	SR159/0026	SR159/0026	SR159/0026	SR159/0026	SR159/0026
34	MP-0008 ROTOR TO 2008	RB159120/0013	RB159140/0012	RB159160/0013	RB159180/0014	RB159200/0015	RB159220/0016	RB159250/0127
35	FOR NEW ROTOR SEE NEW DIAGRAM	RBA159C120-4051	RBA159C140-4051	RBA159C160-4051	RBA159C180-4051	RBA159C200-4051	RBA159C220-4051	RBA159C250-4051
36	FLAIL BOLT	014.01	014.01	014.01	014.01	014.01	014.01	014.01
37	HAMMER FLAIL	MP/0008	MP/0008	MP/0008	MP/0008	MP/0008	MP/0008	MP/0008
38	NUT	014.01	014.01	014.01	014.01	014.01	014.01	014.01
39	WASHER	RG16XXARN	RG16XXARN	RG16XXARN	RG16XXARN	RG16XXARN	RG16XXARN	RG16XXARN
40	SPLIT PIN	CF032070	CF032070	CF032070	CF032070	CF032070	CF032070	CF032070
41	WASHER	RP18XXFZ	RP18XXFZ	RP18XXFZ	RP18XXFZ	RP18XXFZ	RP18XXFZ	RP18XXFZ
42	LOW LINKS' PIN	SP28190Z	SP28190Z	SP28190Z	SP28190Z	SP28190Z	SP28190Z	SP28190Z
43	TRIPPING PIN	SSX10Z	SSX10Z	SSX10Z	SSX10Z	SSX10Z	SSX10Z	SSX10Z
44	WASHER	RP20XXFZ	RP20XXFZ	RP20XXFZ	RP20XXFZ	RP20XXFZ	RP20XXFZ	RP20XXFZ
45	SELF-LOCKING NUT	DE10AL6SPGZAB	DE10AL6SPGZAB	DE10AL6SPGZAB	DE10AL6SPGZAB	DE10AL6SPGZAB	DE10AL6SPGZAB	DE10AL6SPGZAB
45	SCREW	V120351TF088Z	V120351TF088Z	V120351TF088Z	V120351TF088Z	V120351TF088Z	V120351TF088Z	V120351TF088Z
47	WASHER	RF1442FN	RF1442FN	RF1442FN	RF1442FN	RF1442FN	RF1442FN	RF1442FN
48	MULCHER CHASSIS	CC120/1311	CC140/1311	CC160/1311	CC180/1311	CC200/1311	CC220/1311	CC250/1311
49	SCREW	V180902TF088N	V180902TF088N	V180902TF088N	V180902TF088N	V180902TF088N	V180902TF088N	V180902TF088N
50	SCREW	V0801202TF109Z	V0801202TF109Z	V0801202TF109Z	V0801202TF109Z	V0801202TF109Z	V0801202TF109Z	V0801202TF109Z
51	REINFORCING FLANGE	FR/1338	FR/1338	FR/1338	FR/1338	FR/1338	FR/1338	FR/1338
52	NUT	DE18BA6SPGN	DE18BA6SPGN	DE18BA6SPGN	DE18BA6SPGN	DE18BA6SPGN	DE18BA6SPGN	DE18BA6SPGN
53	SCREW	V140502PF088N	V140502PF088N	V140502PF088N	V140502PF088N	V140502PF088N	V140502PF088N	V140502PF088N
54	WASHER	RG14XXARN	RG14XXARN	RG14XXARN	RG14XXARN	RG14XXARN	RG14XXARN	RG14XXARN
55	TOP LINK'S PIN	SP25190Z	SP25190Z	SP25190Z	SP25190Z	SP25190Z	SP25190Z	SP25190Z
56	GEAR BOX KEEPING PLATE	PF08/0009	PF08/0009	PF08/0009	PF08/0009	PF08/0009	PF08/0009	PF08/0009
57	GEAR BOX SUPPORTING PLATE	PSS/1760	PSS/1760	PSS/1760	PSS/1760	PSS/1760	PSS/1761	PSS/1761

POS NO	DESCRIPTION	TFB-Y 120	TFB-Y 140	TFB-Y 160	TFB-Y 180	TFB-Y 200	TFB-Y 220	TFB-Y 250
58	SCREW	V120352TF088N	V120352TF088N	V120352TF088N	V120352TF088N	V120352TF088N	V120352TF088N	V120352TF088N
	SCREW	V160352TF088N	V160352TF088N	V160352TF088N	V160352TF088N	V160352TF088N	V160352TF088N	V160352TF088N
59	ELASTIC PIN	SE06026	SE06026	SE06026	SE06026	SE06026	SE06026	SE06026
60	HINGE PIN	PE0150110	PE0150110	PE0150110	PE0150110	PE0150110	PE0150110	PE0150110
61	SPLIT PIN	CM04Z	CM04Z	CM04Z	CM04Z	CM04Z	CM04Z	CM04Z
62	RAKE	RT430/0083	RT430/0083	RT430/0083	RT430/0083	RT430/0083	RT430/0083	RT430/0083
63	NUT	DE14AL6SPGN	DE14AL6SPGN	DE14AL6SPGN	DE14AL6SPGN	DE14AL6SPGN	DE14AL6SPGN	DE14AL6SPGN
64	RING	RG14XXARN	RG14XXARN	RG14XXARN	RG14XXARN	RG14XXARN	RG14XXARN	RG14XXARN
65	SCREW	V140402TF088N	V140402TF088N	V140402TF088N	V140402TF088N	V140402TF088N	V140402TF088N	V140402TF088N
66	SELF-LOCKING NUT	DE12AL6SPGZAB	DE12AL6SPGZAB	DE12AL6SPGZAB	DE12AL6SPGZAB	DE12AL6SPGZAB	DE12AL6SPGZAB	DE12AL6SPGZAB
67	SIDE PROTECTION	PL100720	PL100720	PL100720	PL100720	PL100720	PL100720	PL100720
68	SCREW	V120303TF109N	V120303TF109N	V120303TF109N	V120303TF109N	V120303TF109N	V120303TF109N	V120303TF109N
69	FLAPS BAR	PE0181230	PE0181430	PE0181630	PE0181830	PE0182030	PE0182230	PE0182430
	FLAP	PA04-2220Z	PA04-2220Z	PA04-2220Z	PA04-2220Z	PA04-2220Z	PA04-2220Z	PA04-2220Z
	* ADVISE THE NO. PLATE ON THE GEARBOX * USUALLY T311 R 1:3							



© Le informazioni contenute nel presente documento sono di proprietà della BERTI MACCHINE AGRICOLE SRL e non possono essere riprodotte o trasmesse a terzi in alcun modo senza esplicita approvazione scritta della BERTI MACCHINE AGRICOLE SRL o di un suo rappresentante debitamente autorizzato.

 macchine agricole srl Caldiero (VR)		mod. TFBY	dis.n° 08.105
		mat.	tratt.
den. Esploso ruote TFB/Y			
data 30/01/2007	dis. ANDREA	codice 08.105	

## Parts listing for TFB/Y steering wheels

08.105

POS.	Description	Part no.
1	Wheel	RN45010
2	Plate with wheel hub	PM/3146
3	Washer D.10	RP10XXFN
4	Screw TE M10x20	V100202TF088N
5	Pin of the steering wheel	PE/2583
6	Washer D.14	RP14XXFN
7	Screw TE M16x50	V160502TF088N
8	Steering wheel support	SR/3138
9	M16 self locking nut	DE16AL6SPGZAB
10	Pin 6x40	SE06040
11	Wheel RH spring	MD/2759
12	Greaser	IN101XXDR
13	RH plate for steering wheel	PDX/3453
14	Wheel LH spring	MS/2760
15	LH plate for steering wheel	PSX/3452
16	Screw TE M14x40	V140402TF088N
17	M14 self locking nut	DE14AL6SPGZAB
18	Screw TSPEI M14x40	V140403TF109N
19		
20		
21		
22		
23		
24		
25		
26		
27		